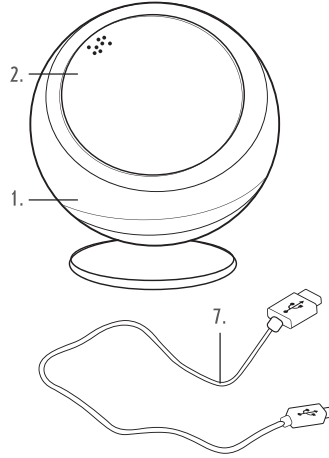


## BLUETOOTH® TWS SPEAKER

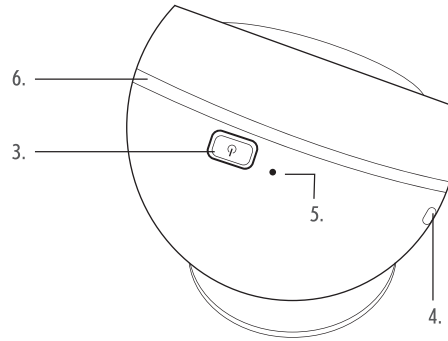
### ENCEINTE TWS BLUETOOTH®

#### INSTRUCTION MANUAL

## Description of Parts



- |                                       |                                   |
|---------------------------------------|-----------------------------------|
| 1. Bluetooth® TWS Speaker Main Unit   | 5. Built-in Hands-free Microphone |
| 2. Speaker                            | 6. LED Lights                     |
| 3. Power/Play/Pause Redial Button (P) | 7. USB Charging Cable             |
| 4. Micro USB 5 V  Charging Port       |                                   |



- |  |                               |
|--|-------------------------------|
| 1. Unité principale de l'enceinte TWS Bluetooth® | 5. Micro mains libres intégré |
| 2. Enceinte                                      | 6. Éclairage LED              |
| 3. Bouton Marche/Lecture/Pause/Recomposer (P)    | 7. Câble de chargement USB    |
| 4. Port de chargement micro USB 5 V              |                               |

This product is fitted with a 3.7 V 300 mAh rechargeable battery (non-removable).

### Declaration of Conformity

UP Global Sourcing UK Ltd. hereby declares that this product is in compliance with the essential requirements and other provisions of directive 2014/53/EU.

The full declaration of conformity may be consulted at UP Global Sourcing UK Ltd., Victoria Street, Manchester OL9 0DD. UK or online at [www.intempo.co.uk/declaration-letters.html](http://www.intempo.co.uk/declaration-letters.html)

### Care and Maintenance

Wipe the speaker with a soft, lint-free cloth.

#### Do not:

- Use any abrasive cleaning solvents to clean the speaker.
- Expose the speaker to extremely high or low temperatures.
- Drop the speaker.
- Attempt to disassemble the speaker.
- Dispose of the speaker in a fire as it will result in an explosion.

### Instructions for Use

#### Charging the Battery

The speaker is fitted with a 3.7 V 300 mAh battery (non-removable). It is recommended that the battery is fully charged before first use; this will take approx. 3 hours.

Connect the micro USB end of the USB charging cable into

the 5 V charging port on the speaker and the USB end to a compatible USB port.

Whilst charging, the LED lights will illuminate. Once the battery has fully charged, the LED lights will switch off. Carefully disconnect both ends of the USB charging cable and store it safely for future use.

**Note:** It is advised that the product is not used whilst charging, as this could reduce the life of the battery.

\*\* Maximum play time based on 20 % volume.

### Using the Bluetooth® TWS Speaker

#### Basic Functionality

Turn on the speaker by pressing and holding for approx. 3 seconds. The LED lights will automatically activate when the speaker is turned on.

Pause a track by pressing once; press it again to resume the track.

Adjust the volume of the speaker using the relevant controls on the compatible audio source.

Change the track using the relevant controls on the compatible audio source.

Press twice to redial the last number called from the Bluetooth compatible device.

Turn the speaker off by pressing and holding for approx. 3 seconds.

### Bluetooth Mode

#### Pairing with a Bluetooth Compatible Device

**STEP 1:** Once the speaker has been turned on, search for the speaker using a Bluetooth compatible device. Select 'EE5821' to connect and pair. Once a connection has been made a tone will sound.

**STEP 2:** To unpair or remove a Bluetooth compatible device from the speaker, turn off the Bluetooth function on the compatible device. The speaker can now be paired with a new compatible device.

**Note:** Once connected, sound can be controlled using the relevant controls on the Bluetooth compatible device.

#### Making Phone Calls via a Bluetooth Compatible Device

Once the Bluetooth compatible device has been paired with the speaker, phone calls can be made.

**STEP 1:** Using the Bluetooth compatible device, dial the number to be called and select the Bluetooth/hands-free option. The speaker and its built-in microphone will now act as a hands-free device.

**STEP 2:** To connect or disconnect a call using the speaker, press .

**STEP 3:** The volume of the phone call can be controlled using the Bluetooth compatible device.

**STEP 4:** To reject an incoming phone call, press and hold .

**EN |** Please read all of the instructions carefully and retain for future reference.

### Safety Instructions

When using electrical products, basic safety precautions should always be followed.

Keep the product and its accessories out of the reach of children.

Keep small parts away from children as these may present a choking hazard.

Children under 8 years should be supervised to ensure that they do not play with the product.

This product is not a toy.

This product contains no user serviceable parts. If the product and any of its accessories are malfunctioning or damaged; the unit should be recycled.

Keep the product and its accessories away from heat sources, direct sunlight, humidity, water and any other liquid, or sharp edges that could cause damage.

Ensure the product is well-ventilated.

Do not leave any objects susceptible to magnetism (cash cards etc.) near the product.

Do not operate the product with wet hands.

Do not operate the product if it has been exposed to water, moisture or any other liquid, to prevent against electric shock, explosion and/or injury to yourself and damage to the product.

Do not use the product for anything other than its intended use.

Do not use any accessories other than those supplied.

Do not put objects into any of the openings. This product is intended for domestic use only. It should not be used for commercial purposes.

To prevent possible hearing damage, do not listen at high volume levels for long periods of time – this may also damage the product.

**Note:** It is advised that the product is not used whilst charging, as this could reduce the life of the battery.

### Battery Safety

The supply terminals are not to be short-circuited.

In the event of a battery and cell leaking, do not allow the liquid to come in contact with the skin or eyes. If contact has been made, wash the affected area with copious amounts of water and seek medical advice.

Secondary cells and batteries need to be charged before use. After extended periods of storage, it may be necessary to charge and discharge the cells or batteries several times to obtain maximum performance.

Do not crush, puncture, dismantle or otherwise damage batteries.

Do not store above 60 °C.

Avoid storage in direct sunlight.

Do not dispose of exhausted batteries in household waste.

Do not dispose of exhausted batteries in a fire as they may explode.

Once the batteries have been exhausted, dispose of the product at a local recycling station. Contact the local government offices for further details.

1A/000000000000207103D

www.intempo.co.uk

MADE IN CHINA.  
Germany, 51 149 Köln.  
UK, Manchester OL9 0DD.  
UP Global Sourcing UK Ltd,  
Manufactured by/ Fabrique par:



Please read all of the instructions carefully and retain for future reference.

**Note:** Once connected, sound can be controlled using the relevant controls on the Bluetooth compatible device. Pressing the power button twice will redial the last number called from the Bluetooth compatible device.

#### Connecting to Another TWS Speaker

**STEP 1:** Turn on one of the speakers, then press twice; this will become the main speaker.

**STEP 2:** Turn on the second speaker, then press twice; this will become the secondary speaker.

**STEP 3:** The LED lights on the two speakers will flash. Wait for approx. 10 seconds, whilst the speakers pair with each other. A tone will sound from both speakers, indicating that they have connected successfully.

**STEP 4:** Search for the speakers using a Bluetooth compatible device. Select 'EE5821' and pair. Once a connection has been made a tone will sound.

### Troubleshooting

#### The speaker has no power.

The speaker has run out of charge. Charge the speaker following the instructions in the section entitled 'Charging the Battery'.

#### The speaker has no sound.

The volume level is set too low. Check that the volume level is set at an audible level and adjust accordingly with the connected device.

The speaker is not paired with a Bluetooth compatible device. Follow the instructions in the section entitled

