

Indicators

Power Indicator:

Indicator on: The Wi-Fi Extender is powered on.

Indicator off: The Wi-Fi Extender has no power.

Wireless Indicator:

Indicator flashing: The Wi-Fi Extender is waiting for wireless connection.

Indicator off: The Wi-Fi Extender has no power.

WPS Indicator:

Indicator on: The Wi-Fi Extender is searching for the WPS signal from the router.

Indicator flashing: The Wi-Fi Extender is connected to the router via WPS.

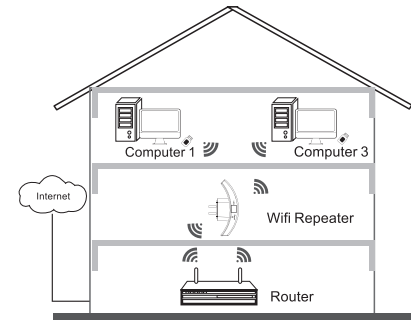
Indicator off: WPS Mode is not activated.

LAN Indicator:

Indicator on: The ethernet port is connected.

Indicator flashing: Data is being transferred.

Indicator off: The ethernet port is disconnected.



Troubleshooting

The Wi-Fi Extender has no power.

The wall outlet has no power.

The Wi-Fi Extender is incompatible with the power supply.

Check the Wi-Fi Extender is switched on and there are no issues with the mains power supply.

Check the mains power supply output matches the Wi-Fi Extender rating label.

The Wi-Fi Extender is not connected.

The Wi-Fi is not compatible with the Wi-Fi Extender.

Home Wi-Fi is not switched on.

Instructions for Use

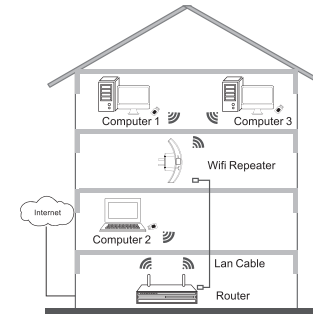
Setting up a Wireless Infrastructure Network

The Wi-Fi Extender is suitable for a typical wireless setup at home.

Wireless Repeater Mode

This mode requires Wi-Fi AP / router internet access.

In this mode, the Wi-Fi Extender copies and reinforces the existing wireless signal to help provide full wireless coverage at home.



Wireless AP Mode

This mode requires broadband router internet access.

In this mode, the Wi-Fi Extender is connected to a wired network via the ethernet port.

The wired internet access is then transformed into wireless coverage so that multiple devices can connect at home at the same time.

The Wi-Fi password is incorrect/has changed.

The Wi-Fi Extender is only compatible with a Wi-Fi frequency of 2.4 GHz.

Check that the home Wi-Fi hub is switched on and reboot if necessary.

Check the correct Wi-Fi password has been entered.

Issues with Intempo Home app.

For any issues with the Intempo Home app, check the in-app Help Centre for troubleshooting and contact information.

Specifications

Product Code: EE6144WHTCDSFOB

Input: 220–240 V ~ 50/60 Hz

Operating Frequency: Wi-Fi 2.4 GHz