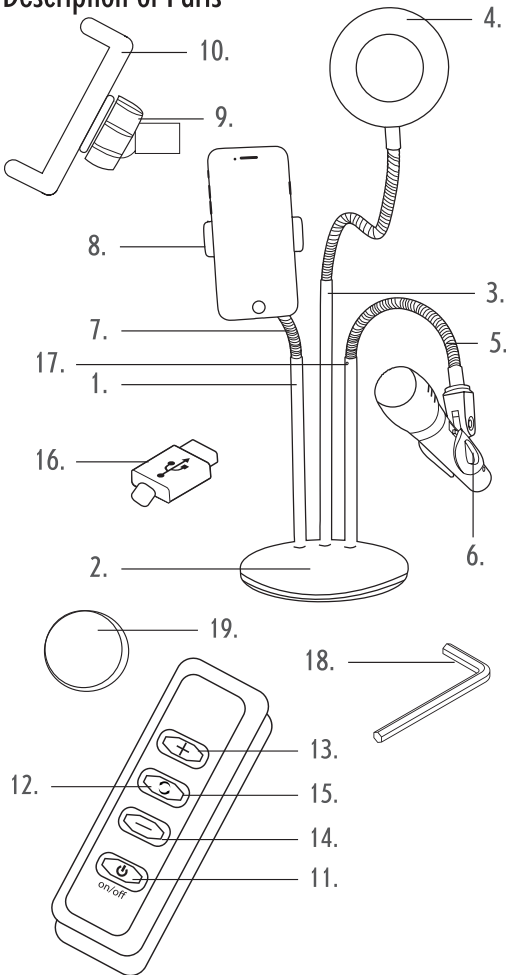


SYNC 3 IN 1 STREAMING STAND

Instruction Manual

Description of Parts



10. Phone Holder Bracket
11. On/Off button (**ON/OFF**)
12. Function button (**FUNCTION**)
13. Brightness + Button (**+**)
14. Brightness – Button (**-**)
15. LED Indicator Light
16. USB Connector
17. Hex socket screw(s)
18. Hex key
19. Foam stickers

Please read all of the instructions carefully and retain for future reference.

Safety Instructions

When using this unit, basic safety precautions should always be followed.

Children aged from 8 years and people with reduced physical, sensory or mental capabilities or lack of experience and knowledge can use this unit, only if they have been given supervision or instruction concerning use of the unit in a safe way and understand the hazards involved. Children should be supervised to ensure that they do not play with the unit.

Unless they are older than 8 and supervised, children should not perform cleaning or user maintenance.

This unit is not a toy.

This unit contains no user serviceable parts. If the unit and any of its accessories have been dropped or damaged, only a qualified person should carry out repairs. Improper repairs may place the user at risk of harm.

Keep the unit out of reach of children.

Keep the unit away from heat or sharp edges that could cause damage.

Keep the unit away from heat sources, direct sunlight, humidity, water and any other liquid.

Keep the unit free from dust, lint etc.

Do not immerse the unit in water or any other liquid.

Do not operate the unit with wet hands.

Do not operate the unit if it has been exposed to water, moisture or any other liquid.

Do not use the unit for anything other than its intended use.

Do not use any accessories other than those supplied.

Do not store the unit in direct sunlight or in high humidity conditions.

1. 3 in 1 Streaming Stand
2. Streaming Stand Base
3. Ring Light Pole
4. Dimmable Ring Light
5. Flexible Microphone Stand
6. Microphone Cradle
7. Flexible Phone Holder Pole
8. Phone Holder
9. Phone Holder Nut

This unit is intended for domestic use only. It should not be used for commercial purposes.

Warning: This unit may heat up slightly during use, take care not to leave this unit near flammable materials.

Care and Maintenance

Wipe the streaming stand with a soft, lint-free cloth.

Do not:

Use any abrasive cleaning solvents to clean the streaming stand.

Expose the streaming stand to extremely high or low temperatures.

Drop the streaming stand.

Attempt to disassemble the streaming stand.

Dispose of the streaming stand in a fire as it will result in an explosion.

Assembly Instructions

This streaming stand must be assembled before use.

STEP 1: Position the ring light pole into one of the three holes on the streaming stand base. Insert a hex socket screw and tighten the ring light pole in position using the hex key provided.

STEP 2: Repeat step one for the flexible phone holder pole and the flexible microphone stand so that all three attachments are securely fitted into the holes on the streaming stand base. Use the foam stickers to cover the hex screws.

STEP 3: To attach the phone holder to the flexible phone holder pole, loosen the phone holder nut but do not remove it completely. Gently push the phone holder bracket onto the ball at the top of the flexible phone holder pole until it clicks. Tighten the phone holder nut to secure the phone holder in place.

STEP 4: Screw the microphone cradle onto the thread at the top of the flexible microphone stand in a clockwise direction until secure.

Note: Do not overtighten the attachments as this will make them difficult to remove.

Instructions for Use

Ring Light

STEP 1: Connect the USB connector to a compatible USB port.

STEP 2: Switch on the dimmable ring light by

pressing '**ON/OFF**'.

STEP 3: Increase the brightness by pressing '**+**'; decrease by pressing '**-**'.

STEP 4: There are three colour temperature modes to choose from; press '**FUNCTION**' to cycle through them:

I. Cool white light

II. Hybrid light

III. Warm yellow light

Phone Holder

STEP 1: Gently extend the side of the phone holder so that a phone or compatible device can fit comfortably into it. Position the device and then slowly release the side of the phone holder to secure the device into place.

STEP 2: To adjust the position of the phone holder, loosen the phone holder nut by turning it in a clockwise direction. Rotate the phone holder until the desired angle (360 ° motion) is achieved and then tighten the phone holder nut once again by turning in an anticlockwise direction.

Microphone Cradle

Insert a microphone (not included) into the microphone holder and adjust until the desired angle (180 ° motion) is achieved.

Note: Make sure the streaming stand is placed on a flat, stable surface and that any phones or devices are held securely before use.

Storage

Check that the streaming stand is clean and dry before storing in a cool, dry place.

Specifications

Product code: EE5782

Minimum Cradle size: approx. 5.8 cm

Maximum Cradle side: approx. 8.5 cm

LED Brightness: 480 lm

Power Input: 5 V ===

Manufactured by
UP Global Sourcing UK Ltd.,
Victoria Street,
Manchester OL9 0DD. UK.

Made in China.

www.intempo.co.uk

0000000.M0000000.V1

