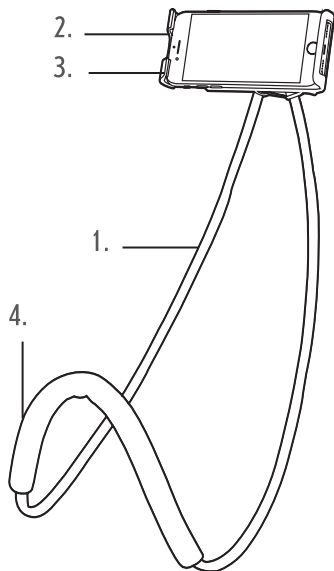


HANDS-FREE NECK MOUNT

Instruction Manual

Description of Parts



1. Hands-free Neck Mount
2. Smartphone/Tablet Cradle
3. Swivel Bracket
4. Foam Cushioning

Please read all of the instructions carefully and retain for future reference.

Safety Instructions

When using this unit, basic safety precautions should always be followed.

Children aged from 8 years and people with reduced physical, sensory or mental capabilities or lack of experience and knowledge can use this unit, only if they have been given supervision or instruction concerning use of the unit in a safe way and understand the hazards involved.

Children should be supervised to ensure that they do not play with the unit.

Unless they are older than 8 and supervised, children should not perform cleaning or user maintenance.

This unit is not a toy.

Keep the unit out of the reach of children.

Keep the unit away from heat or sharp edges that could cause damage.

Keep the unit away from heat sources, direct sunlight, humidity, water and any other liquid.

Keep the unit free from dust, lint or hair.

Do not immerse the unit in water or any other liquid.

Do not operate the unit with wet hands.

Do not use the unit for anything other than its intended use.

Do not store the unit in direct sunlight or in high humidity conditions.

This unit is intended for domestic use only. It should not be used for commercial purposes.

General Precautions

1. The unit should be adjusted for each individual user. Failure to do so may increase the risk of discomfort.
2. Some people may suffer from severe dizziness, seizures, epileptic seizures or blackouts triggered by light flashes or patterns, which may occur whilst watching TV playing or video games, even if they have never had a seizure or blackout before or have no history of seizures or epilepsy. Anyone who has suffered from a seizure, loss of awareness or any other symptoms linked to an epileptic condition should consult a doctor before using the unit.
3. Using this unit can be distracting from and block the view of actual surroundings. Always be aware of the surroundings when using the unit. Remain seated whenever possible and stay away from other people, objects, stairs, balconies, windows, furniture or other hazards that could be tripped over, bumped into or knocked down, during and immediately after use. Do not handle sharp or otherwise dangerous objects whilst using the unit. Never use the unit in situations that require full attention, such as walking, driving, operating machinery or cycling.
4. Take a 10–15 minute break every hour. Take more frequent or longer breaks if discomfort is felt.

5. DISCONTINUE USE OF THE UNIT IMMEDIATELY if any of the following symptoms are experienced: seizures, loss of awareness, eye or muscle twitching, involuntary movement, altered, blurred or double vision, a feeling of detachment from the body or reality, dizziness, disorientation, disrupted balance, nausea, light-headedness, discomfort or pain in the head or eyes, drowsiness, fatigue or any other symptoms similar to motion sickness. Do not use the unit until all of the symptoms have completely subsided after several hours. Do not drive, operate machinery or engage in any other high consequence activity (i.e. those that could lead to death, personal injury or damage to property) until fully recovered from any symptoms that may have been experienced.

Care and Maintenance

Wipe the unit with a soft, damp, lint-free cloth and allow to dry thoroughly.

Do not:

- Immerse the unit in water or any other liquid.
- Expose the unit to liquid, moisture or humidity.
- Use any abrasive cleaning solvents to clean the unit.
- Expose the unit to sharp objects.
- Expose the unit to extremely high or low temperatures.
- Drop the unit.
- Attempt to disassemble the unit.
- Dispose of the unit in a fire.

Assembly Instructions

The phone/tablet cradle and the hands-free neck mount must be assembled before use.

1. Loosen the nut on the back of the phone/tablet cradle by twisting in an anticlockwise direction to relax the bracket.
2. Once the bracket is relaxed enough (with the nut still threaded), insert the ball on the hands-free neck mount into the bracket by hand using reasonable force until it clicks.
3. Tighten the nut by twisting in a clockwise direction to secure the cradle onto the hands-free neck mount.

Instructions for Use (Around Neck)

STEP 1: Place the unit around the neck, with the foam cushioning at the back of the neck.

STEP 2: To insert the smartphone or tablet into the cradle, pull the expanding arm of the cradle to the desired width, insert the smartphone/tablet and then allow the expanding arm to retract, gripping the smartphone/tablet.

STEP 3: Adjust the viewing angle by using the swivel bracket and carefully bending the body of the neck mount to an appropriate position.

STEP 4: Select either landscape or portrait viewing using the swivel bracket.

Instructions for Use (Other Uses)

STEP 1: Place the unit onto a flat, stable surface at a height that is comfortable for the user.

STEP 2: To insert the smartphone or tablet into the cradle, pull the expanding arm of the cradle to the desired width, insert the smartphone/tablet and then allow the expanding arm to retract, gripping the smartphone/tablet.

STEP 3: Adjust the viewing angle by using the swivel bracket and carefully bending the body of the neck mount to an appropriate position.

STEP 4: Select either landscape or portrait viewing using the swivel bracket.

Note: The neck mount can be bent to the required viewing angle within reason; do not over-manipulate it.

Caution: Larger or heavier tablets may not be held securely by the cradle, refrain from using these items. Always ensure that the item is firmly in place before use. User discretion is advised.

Storage

Check that the unit is clean and dry before storing in a cool, dry place.

Specifications

Product Code: EE4090

Minimum Cradle Size: 115 mm

Maximum Cradle Size: 193 mm

Manufactured by
UP Global Sourcing UK Ltd.,
Victoria Street,
Manchester OL9 0DD. UK.

Made in China.

www.infempe.co.uk

00000000M0000000V1