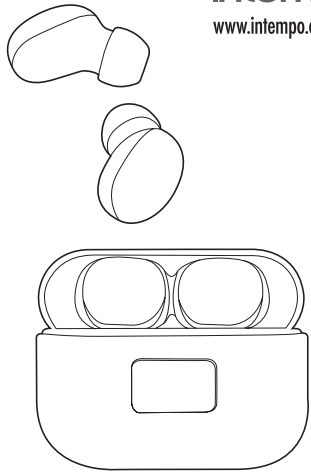



Description of Parts



TWS EARPHONES WITH CHARGING CASE INSTRUCTION MANUAL

Do not operate the product with wet hands.
Do not operate the product if it has been exposed to water, moisture or any other liquid, to prevent against electric shock, explosion and/or injury to yourself and damage to the product.
Do not leave any objects susceptible to magnetism (cash cards etc.) near the product.
Do not use the product for anything other than its intended use.
Do not use any accessories other than those supplied.
This product is intended for domestic use only. It should not be used for commercial purposes.

 To prevent possible hearing damage, do not listen at high volume levels for long periods of time

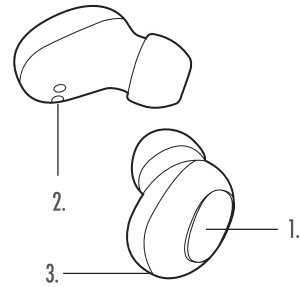
TWS Earphones

1. Function button (**FUNCTION**)
2. Built-in hands-free microphone
3. LED earphone indicator light

– this may also damage the product.
NOTE: It is advised that the product is not used whilst charging, as this could reduce the life of the battery.

Battery Safety

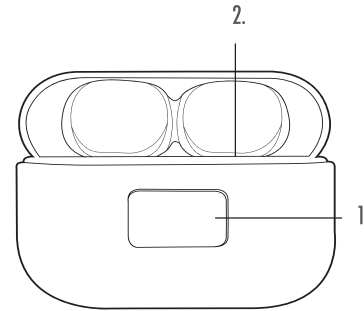
The supply terminals are not to be short-circuited.
In the event of a battery and cell leaking, do not allow the liquid to come in contact with the skin or eyes. If contact has been made, wash the affected area with copious amounts of water and seek medical advice.
Secondary cells and batteries need to be charged before use. After extended periods of storage, it may be necessary to charge and discharge the cells or batteries several times to obtain maximum performance.



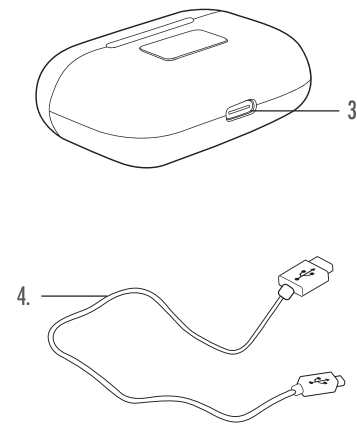
Charging Case

1. LED battery display
2. Earphone charging port(s)

Keep batteries out of the reach of children.
Do not crush, puncture, dismantle or otherwise damage batteries.
Do not store above 60 °C.
Avoid storage in direct sunlight.
Do not dispose of exhausted batteries in household waste.
Do not expose the batteries to heat or fire as they may explode.
Once the batteries have been exhausted, dispose of the product at a local recycling station. Contact the local government offices for further details.
This product is fitted with 2 x 3.7 V 30 mAh (earphones) and a 3.7 V 230 mAh (charging case) li-polymer rechargeable battery (non-removable).



3. Type-C port
4. Type-C charging cable



Please retain instructions for future reference.

Safety Instructions

When using electrical products, basic safety precautions should always be followed. Keep the product and its accessories out of the reach of children. Keep small parts away from children as these may present a choking hazard. Children under 8 years should be supervised to ensure that they do not play with the product. This product is not a toy. This product contains no user serviceable parts. If the product and any of its accessories are malfunctioning or damaged; the product should be recycled. Keep the product away from heat sources, direct sunlight, humidity, water and any other liquid.

LA/00000000/22526603

©Intempo trademark. All rights reserved.
www.intempo.co.uk
Made in China.
Germany, 51149 Kohn.
UK, Manchester OL9 0DD.
UP Global Sourcing UK Ltd.
Manufactured by




Declaration of Conformity

UP Global Sourcing UK Ltd. hereby declares that this product is in compliance with the essential requirements and other provisions of directive 2014/53/EU.

The declaration of conformity may be consulted at UP Global Sourcing UK Ltd., Victoria Street, Manchester OL9 0DD. UK or online at www.intempo.co.uk/declaration-letters.html.
Model No.: EE7228.

Disposal of Waste Batteries and Electrical and Electronic Equipment

 This symbol on the product, its batteries or its packaging means that this product and any batteries it contains must not be disposed of with household waste. Instead, it is the user's responsibility to hand this over to an applicable collection point for the recycling of batteries and electrical and electronic equipment. This separate collection and recycling will help to conserve natural resources and prevent potential negative consequences for human health and the environment due to the possible presence of hazardous substances in batteries and electrical and electronic equipment, which could be caused by inappropriate disposal.

Using the TWS Earphones with Charging Case

Basic Functionality

To turn earphones on, tap and hold '**FUNCTION**' for approx. 4 seconds on each earphone. The earphones will automatically pair with each other once switched on.

Pause a track by tapping '**FUNCTION**'; press it once more to resume.

To switch to the next track, tap and hold '**FUNCTION**' button for approx. 1–2 seconds.

Tap and hold '**FUNCTION**' for approx. 3 seconds to enable voice assistant.

Turn the earphones off by tapping and holding '**FUNCTION**' for approx. 4 seconds

Some retailers provide take-back services which allow the user to return exhausted equipment for appropriate disposal. **It is the user's responsibility to delete any data on electrical and electronic equipment prior to disposal.** For more information about where to drop batteries, electrical and electronic waste off, please contact the local city/municipality office, household waste disposal service, or the retailer.

Modes

The earphones must be turned on before using any of the following modes.

Bluetooth Mode

STEP 1: Once the earphones are turned on, they will automatically pair and connect with each other. Once connected, one earphone LED indicator light will flash red and blue rapidly, signalling that the earphones are ready to be paired with a Bluetooth compatible device.

STEP 2: Search for the earphones using a Bluetooth compatible device. Select 'EE7228' to connect and pair to them.

Once a connection has been made, the LED earphone indicator light will stop flashing and a tone will sound, signalling that the earphones are now paired with the

Care and Maintenance

Wipe the earphones and charging case with a soft, lint-free cloth.

DO NOT:

Use any abrasive cleaning solvents to clean the earphones and charging case.

Expose the earphones to extremely high or low temperatures.

Drop the earphones.

Attempt to disassemble the earphones.

Dispose of the earphones in a fire as it will result in an explosion.

Bluetooth compatible device.

STEP 3: To unpair or remove a Bluetooth compatible device from the earphones, turn off the Bluetooth function on the compatible device. The earphones can now be paired with a new compatible device.

NOTE: Once connected, sound can be controlled using the relevant controls on the Bluetooth compatible device.

Instructions for Use

Charging the Battery

The earphones are fitted with a 3.7 V 30 mAh battery (non-removable).

The charging case is fitted with a 3.7 V 230 mAh rechargeable battery (non-removable). It is recommended that the earphones and charging case are fully charged before first use; this will take approx. 1.5 hours.

To charge the charging case, connect the Type-C end of the Type-C charging cable into the 3.7 V 30 mAh charging port on the charging case and the other end to a compatible USB port. Whilst charging, the LED battery display will indicate that the battery level is increasing.

Once fully charged, the LED battery display will show '100'.

To charge the earphones, place each earphone into the corresponding earphone charging port. As charging takes place, the battery level will increase as shown on the LED battery display. This will stop when charging is complete. Carefully disconnect both ends of the Type-C charging cable and store it safely for future use.

NOTE: The earphones have a playtime of up to 3 hours at 20 % volume, and the charging case provides 2 full charges. This gives an overall playtime of up to 6 hours before charging the case.

Specifications

Product code: EE7228

Bluetooth version: 5.1

Wireless distance: up to 25 m*

Impedance: 32 Ω

Sensitivity: 94 dB +/- 5 dB

Frequency response: 20 Hz–20 kHz

Charging voltage: 5 V ===

Battery: 3.7 V 230 mAh (charging case)

+ 2* 3.7 V 30 mAh (earphones)

Bluetooth frequency: 2.4 GHz

Max RF output: <10 dBm

* Effective range may be reduced due to the presence of obstacles between connected devices.



Manchester
OL9 0DD
United Kingdom
www.upgs.com

GLOBAL SOURCING
THE ULTIMATE WAY

Artworker: Charlotte Pickup
Date: 09/05/2022
Project Name: INE220304 BAM EE7228BLKCDUBMFOB
Type of Artwork: Instruction Manual
Size: A4 Double-sided Folding Leaflet
Software Used: Indesign CC22
Typefaces: Futura PT, FS Lucas Pro

- Cyan
- Magenta
- Yellow
- Black
- PMS
- PMS
- PMS
- PMS

Artwork Version **2**

Artwork Scale 1:1

©2022 UP Global Sourcing UK Ltd.
All designs, images and artwork are the copyright of UP Global Sourcing. No copying, alterations or amendments to the artwork, design can be undertaken without prior written permission of UP Global Sourcing. Any costs incurred as a result of unauthorised amendments will be recovered from the supplier responsible.