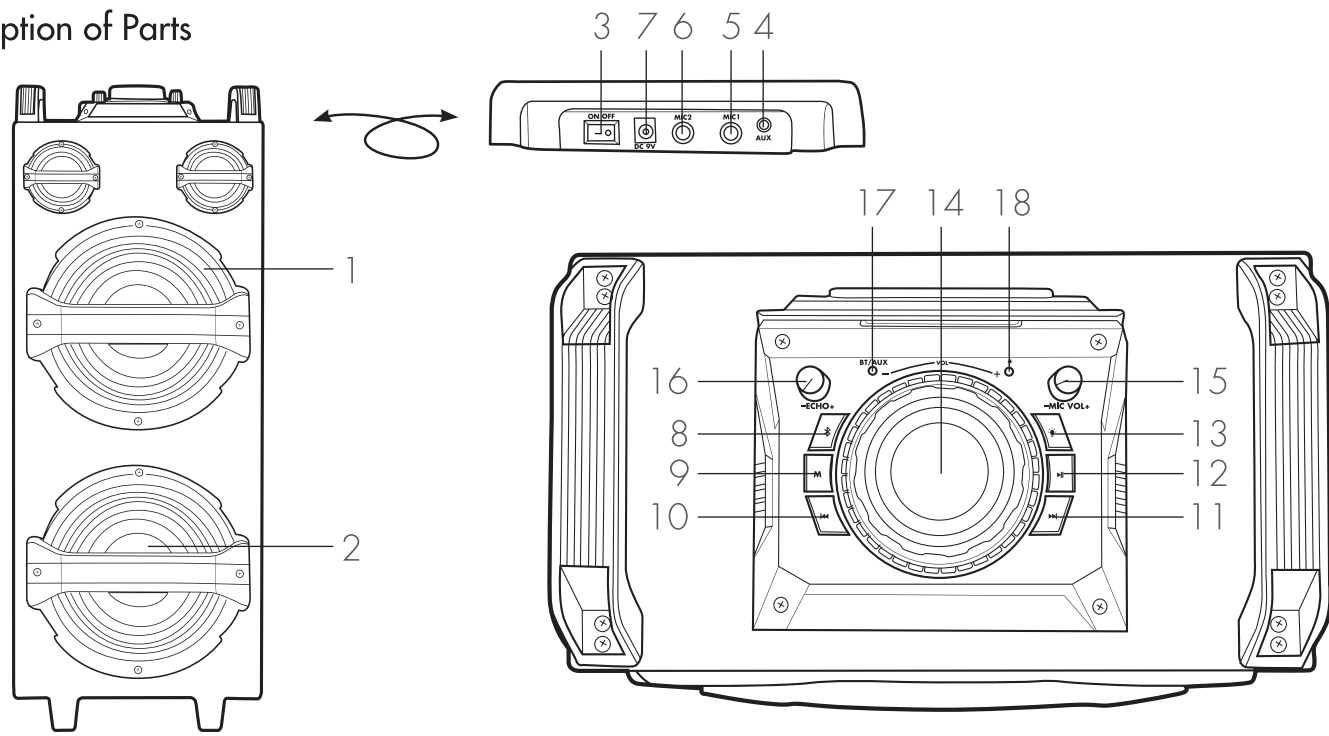


Description of Parts



For the Portable Party System

1. Speakers
2. LED Lights
3. On/Off Switch
4. Aux. Input Port
5. Mic. Input Port 1
6. Mic. Input Port 2
7. DC 9 V Power Socket

For the Control Panel

8. Bluetooth Button (B)
9. Mode Button (M)
10. Skip - Button (⏮)
11. Skip + Button (⏭)
12. Play/Pause Button (⏸)
13. LED Light Button (L)
14. Master Volume Control Dial
15. Mic. Volume Control Dial
16. Echo Control Dial
17. Bluetooth/Aux. Indicator Light
18. Charging Indicator Light

Please read all of the instructions carefully and retain for future reference.

Safety Instructions

When using electrical units, basic safety precautions should always be followed. Check that the voltage indicated on the rating plate corresponds with that of the local network before connecting the unit to the mains power supply. Children aged from 8 years and people with reduced physical, sensory or mental capabilities or lack of experience and knowledge can use this unit, only if they have been given supervision

or instruction concerning use of the unit in a safe way and understand the hazards involved. Children should be supervised to ensure that they do not play with the unit. Unless they are older than 8 and supervised, children should not perform cleaning or user maintenance. This unit is not a toy. This unit contains no user serviceable parts. If the unit and any of its accessories are malfunctioning or it has been dropped or damaged, only a qualified electrician should carry out repairs. Improper repairs may place

the user at risk of harm. Keep the unit and adaptor out of the reach of children. Keep the unit and adaptor away from heat or sharp edges that could cause damage. Keep the unit away from heat sources, direct sunlight, humidity, water and any other liquid. Keep the adaptor away from any parts of the unit that may become hot during use. Keep the unit free from dust, lint etc. Do not immerse the unit in water or any other liquid. Do not operate the unit with wet hands.

Do not operate the unit if it has been exposed to water, moisture or any other liquid, to prevent against electric shock, explosion and/or injury to yourself and damage to the unit. Do not leave the unit unattended whilst connected to another device. Do not leave the unit unattended whilst connected to the mains power supply. Do not remove the appliance from the mains power supply by pulling the cord; switch it off and remove the plug by hand. Do not use the unit for anything other than its intended use.

Do not use any accessories other than those supplied. Do not use this unit outdoors. Do not store the unit in direct sunlight or in high humidity conditions. Do not move the unit whilst it is in use. Do not put objects into any of the openings. Do not play music at excessive volume levels as damage to hearing and/or the equipment may occur. It is imperative to unplug the USB cable after the unit has been used, before it is cleaned and whilst being repaired. This unit must be placed on a stable, heat-resistant surface.

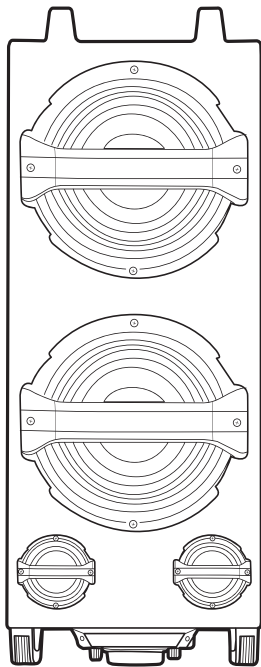
This unit is intended for domestic use only. It should not be used for commercial purposes. To prevent possible hearing damage, do not listen at high volume levels for long periods of time.

Warning: Keep the unit away from flammable materials.

Battery Safety

The supply terminals are not to be short-circuited. In the event of any batteries leaking, do not allow any liquid to come into contact with the skin or eyes. If contact has been made, wash the affected area with copious amounts of water

and seek medical advice. Keep batteries out of the reach of children. Avoid storing in direct sunlight. Do not dispose of batteries in a fire. Do not crush, puncture, dismantle or otherwise damage batteries. Do not store above 60 °C. Do not expose batteries to heat or fire as they may explode. Do not subject batteries to mechanical shock. Do not dispose of exhausted batteries in household waste. To dispose of any batteries, take them to a local recycling station. Contact the local government offices



for further details.

This unit is fitted with a 7.4 V 1800 mAh Li-ion rechargeable battery (non-removable).

UP Global Sourcing UK Ltd. hereby declares that this unit is in compliance with the essential requirements and other provisions of directive 2014/53/EU.

The declaration of conformity may be consulted at UP Global Sourcing UK Ltd., Victoria Street, Manchester OL9 0DD.

Care and Maintenance

Wipe the party system with a soft, damp, lint-free cloth and allow to dry thoroughly.

Rotate it in a clockwise direction to increase the volume; decrease the volume by rotating it in an anticlockwise direction.
STEP 3: Rotate the echo control dial to activate the echo effect. Rotate it in a clockwise direction to increase the echo; decrease the echo by rotating it in an anticlockwise direction.

Warning: When using the microphone, give the party system a 1 metre exclusion radius, as being too close will cause loud feedback and could damage the Party System.

Modes

The party system must be turned on before using any of the following modes.

Do not:

Immerse the party system in water or any other liquid. Expose the party system to liquid, moisture or humidity to avoid the unit's internal circuit being affected. Use any abrasive cleaning solvents to clean the party system, as this can cause damage. Expose the party system to sharp objects, which may cause damage. Expose the party system to extremely high or low temperatures as this will shorten the life of electronic devices, destroy the battery or distort certain plastic parts.

Bluetooth Mode

STEP 1: Press and hold **⌘** until Bluetooth mode is activated. A sound will be emitted and the Bluetooth/Aux. indicator light will flash blue to signal that the party system is ready to be paired with a Bluetooth compatible device.
STEP 1: Search for the Party System using a Bluetooth compatible device. Select 'EE2383' and pair.

Note: Once connected, sound can be controlled using either the party system or the relevant controls on the Bluetooth compatible device.

Aux. Mode

STEP 1: To use Aux. mode, connect one end of the line-in Aux.

Drop the party system, as the internal circuit may become damaged. Attempt to disassemble the party system, as this may cause damage to the unit. Dispose of the party system in a fire, as it will result in an explosion.

Getting Started

Remove the unit from the box. Remove any packaging from the unit. Place the packaging inside the box and either store or dispose of safely.

In the Box

Portable Party System
Mains Power Adaptor
Line-in Aux. Cable
Instruction Manual

cable to the Aux. input port and the other end to an MP3 player or other compatible audio source.
STEP 2: Press **M** until Aux. mode is selected.

Note: Once connected, the sound can be controlled using the relevant controls on the compatible audio source.

Troubleshooting

The party system has no power.

The party system is not connected properly via the AC power adaptor. Check the party system is connected to a power source and that the power adaptor is securely inserted into the power socket on the back of the system.

The Party System has no sound.

The volume level is set too low. Check that the volume level

Features

Bluetooth Version: 4.1
Wireless Range: 10 m
Speaker Output: 2 x 10 W
Built-in Rechargeable Battery
Line-in Aux. Cable (Included)
Power Adaptor (Included)

Instructions for Use

Charging the Battery

The party system is fitted with a 7.4 V 1800 mAh Li-ion battery. It is recommended that the battery is fully charged before first use; this will take approx. 6 hours. Connect one end of the power adaptor to the DC 9 V power socket on the back of the party system and the other end to the mains power supply. Whilst charging, the charging indicator light will illuminate

is set at an audible level and adjust accordingly with the connected device. The party system is not paired with a Bluetooth compatible device. Follow the instructions in the section entitled 'Bluetooth Mode'. The party system is not connected to a compatible audio source. Follow the instructions in the section entitled 'Aux. Mode'.

Unable to pair a device with the party system.

The Bluetooth device is not compatible with the party system. Make sure that the Bluetooth device is compatible with the party system and that the Bluetooth function is switched on.

The charge of the party system depletes quickly.

The volume level is set too high. Excessive use of the party system

red. Once the battery has fully charged, the charging indicator light will switch off. Once the party system is fully charged, carefully disconnect both ends of the power adaptor and store it safely for future use.

Using the Portable Party System

Basic Functionality

Turn on the party system by plugging the AC power adaptor into the AC power socket on the back of the party system and then slide the on/off switch to the 'On' position. Pause a track by pressing **⏸**; push it again to resume the track. Adjust the volume of the party system using the master volume control dial. Rotate it in a clockwise direction to increase the volume; decrease the volume by rotating it

at high volumes will drain the battery quickly. Charge the party system as per the instructions in the section entitled 'Charging the Battery' and listen at a lower volume for better results. The battery may be reaching the end of its service life and will need to be removed. See the section entitled 'Battery Safety'.

Specifications

Product Code: EE2383STK
Bluetooth Version: 4.1
Wireless Range: 10 m
Speaker Output: 2 x 10 W
Power Supply: DC 9 V

in an anticlockwise direction. To switch to the next track, press **⏩**; play the previous track by pressing **⏪**. Cycle between functions by pressing **M** until the desired operation is selected (Bluetooth and Aux.). Cycle between the LED light modes by pressing **💡**. Slide the on/off switch to the 'Off' position to turn off the party system.

Using a Microphone

STEP 1: Insert a microphone connector into one of mic. input ports on the back of the party system.
STEP 2: Adjust the volume of the microphone using the mic. volume control dial.