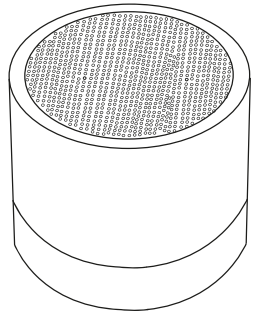


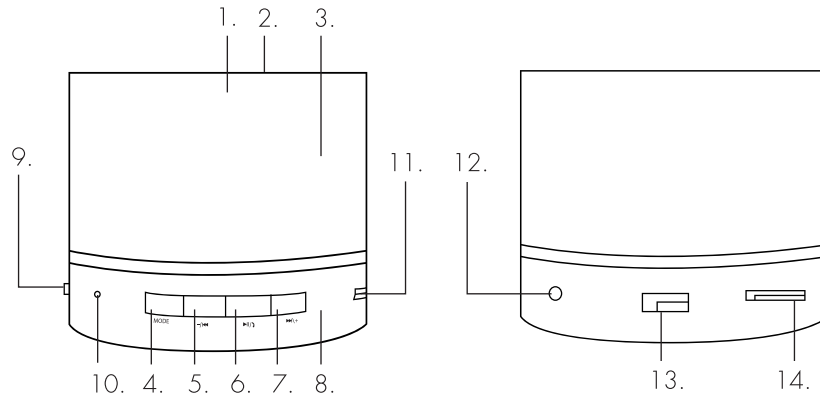
# BLUETOOTH® MINI LED SPEAKER



**intempo®**  
Making Music Cool

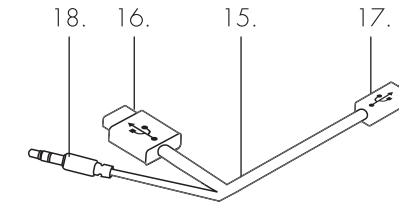
## INSTRUCTION MANUAL

### Description of Parts



1. Bluetooth® Mini LED Speaker Main Unit
2. Speaker
3. LED Lights
4. Mode Button (MODE)
5. Volume/Skip - Button (-/⏪)
6. Play/Pause/Hands-free Button (▶/⏸)

7. Skip/Volume + Button (⏩/+)
8. Indicator Light
9. On/Off Switch
10. Built-in Hands-free Microphone
11. 5 V 1 A DC Charging Port
12. Headphone Input Port
13. USB Input Port



14. Micro SD/TF Card Slot
15. Charging Cable
16. USB Connector
17. Micro USB Connector
18. Aux. Connector

8 and supervised, children should not perform cleaning or user maintenance. This unit is not a toy. This unit contains no user serviceable parts. If the unit and any of its accessories are malfunctioning or it has been dropped or damaged, only a qualified electrician should carry out repairs. Improper repairs may place the user at risk of harm. Keep the unit and USB cable out of the reach of children. Keep the unit and USB cable away from heat or sharp edges that could cause damage. Keep the unit away from heat sources, direct sunlight, humidity, water and any other liquid.

Keep the USB cable away from any parts of the unit that may become hot during use. Keep the unit free from dust, lint etc. Do not immerse the unit in water or any other liquid. Do not operate the unit with wet hands. Do not operate the unit if it has been exposed to water, moisture or any other liquid, to prevent against electric shock, explosion and/or injury to yourself and damage to the unit. Do not leave the unit unattended whilst connected to another device. Do not use the unit for anything other than its intended use. Do not use any accessories

other than those supplied. Do not use this unit outdoors. Do not store the unit in direct sunlight or in high humidity conditions. Do not put objects into any of the openings. Do not play music at excessive volume levels as damage to hearing and/or the equipment may occur. It is imperative to unplug the USB cable after the unit has been used, before it is cleaned and whilst being repaired. This unit must be placed on a stable, heat-resistant surface. This unit is intended for domestic use only. It should not be used for commercial purposes. To prevent possible hearing

damage, do not listen at high volume levels for long periods of time. **Warning:** Keep the unit away from flammable materials.

### Battery Safety

The supply terminals are not to be short-circuited. In the event of any batteries leaking, do not allow any liquid to come into contact with the skin or eyes. If contact has been made, wash the affected area with copious amounts of water and seek medical advice. Keep batteries out of the reach of children. Avoid storing in direct sunlight. Do not dispose of batteries in

Please read all of the instructions carefully and retain for future reference.

### Safety Instructions

When using electrical units, basic safety precautions should always be followed. Children aged from 8 years and people with reduced physical, sensory or mental capabilities or lack of experience and knowledge can use this unit, only if they have been given supervision or instruction concerning use of the unit in a safe way and understand the hazards involved. Children should be supervised to ensure that they do not play with the unit. Unless they are older than

CPD10317/M000000/MI

Made in China.

Manufactured by  
UP Global Sourcing UK Ltd.,  
Victoria Street,  
Manchester O19 0DD, UK.



**intempo**



a fire.

Do not crush, puncture, dismantle or otherwise damage batteries.

Do not store above 60 °C.

Do not expose batteries to heat or fire as they may explode.

Do not subject batteries to mechanical shock.

Do not dispose of exhausted batteries in household waste.

To dispose of any batteries, take them to a local recycling station. Contact the local government offices for further details.

This unit is fitted with a DC 5 V 300 mAh Li-ion rechargeable battery (non-removable).

UP Global Sourcing UK Ltd.

hereby declares that this unit is in compliance with the essential requirements and other provisions of directive 2014/53/EU.

The declaration of conformity may be consulted at UP Global Sourcing UK Ltd., Victoria Street, Manchester OL9 0DD.

### Care and Maintenance

Wipe the speaker with a soft, damp, lint-free cloth and allow to dry thoroughly.

#### Do not:

Immerse the speaker in water or any other liquid.

Expose the speaker to liquid, moisture or humidity to avoid the unit's internal circuit being affected.

charging port on the back of the speaker and the Aux. end to an MP3 player or other compatible audio source.

**STEP 2:** Press 'MODE' until Aux. mode is selected.

**Note:** Once connected, sound can be controlled using the relevant controls on the compatible audio source.

#### Micro SD/TF Card/USB Mode

**STEP 1:** To use micro SD/TF mode, insert a micro SD/TF card (not included) into the micro SD/TF card slot. The speaker will automatically change to micro SD/TF mode.

**STEP 2:** To use USB mode, insert a compatible USB drive into the USB port. The speaker will automatically change to USB mode.

**STEP 3:** If the speaker does not automatically change to Micro SD/TF or USB mode, press 'MODE' until the desired operation is selected.

Use any abrasive cleaning solvents to clean the speaker, as this can cause damage.

Expose the speaker to sharp objects, which may cause damage.

Expose the speaker to extremely high or low temperatures as this will shorten the life of electronic devices, destroy the battery or distort certain plastic parts.

Drop the speaker, as the internal circuit may become damaged.

Attempt to disassemble the speaker, as this may cause damage to the unit.

Dispose of the speaker in a fire, as it will result in an explosion.

**Note:** Once connected, sound can be controlled using the speaker. No USB drive should be inserted whilst using Micro SD/TF mode or vice versa, as this could interfere with playback. The speaker will only recognise MP3 audio files; if other files are present on the micro SD/TF card, this may prevent the speaker from playing.

### Troubleshooting

#### The speaker has no power.

The speaker has run out of charge. Charge the speaker following the instructions in the section entitled 'Charging the Battery'.

### Getting Started

Remove the unit from the box.

Remove any packaging from the unit.

Place the packaging inside the box and either store or dispose of safely.

#### In the Box

Bluetooth® Mini LED Speaker

Charging Cable

Instruction Manual

#### Features

Bluetooth Version: 2.1 + EDR

Wireless Range: 10 m

Speaker Output: 3 W

Built-in Rechargeable Battery

Built-in Hands-free Microphone

2 in 1 Charging Cable

#### Instructions for Use

##### Charging the Battery

The speaker is fitted with a DC 5 V 300 mAh Li-ion battery. It is recommended that the battery is fully charged before first use; this will take approx. 3 hours.

Connect the micro USB end of the

#### The speaker has no sound.

The volume level is set too low. Check that the volume level is set at an audible level and adjust accordingly with the connected device.

The speaker is not paired with a Bluetooth compatible device. Follow the instructions in the section entitled 'Bluetooth Mode'.

The speaker is not connected to a compatible audio source. Follow the instructions in the section entitled 'Aux. Mode'.

#### Unable to pair a device with the speaker.

The Bluetooth device is not compatible with the speaker. Check that the Bluetooth device is compatible with the speaker and that the Bluetooth function is switched on.

#### The charge of the speaker depletes quickly.

The volume level is set too high. Excessive use of the speaker at high

charging cable into the 5 V 1 A DC charging port on the back of the speaker and the USB end to a compatible USB port.

Whilst charging, the LED indicator light will illuminate red. Once fully charged, the LED indicator light will switch off.

Once the speaker is fully charged, carefully disconnect both ends of the charging cable and store it safely for future use.

### Using the Bluetooth® Mini LED Speaker

#### Basic Functionality

Turn on the speaker by sliding the on/off switch to the 'On' position. Pause a track by quick pressing ►/⏸; push it again to resume the track.

Adjust the volume of the speaker using ►/⏸+ and -/◀. Press and hold ►/⏸+ to increase the volume; decrease the volume by pressing and holding -/◀. To switch to the next track, press ►/⏸+; play the previous track by pressing -/◀.

volumes will drain the battery quickly.

Charge the speaker following the instructions in the section entitled 'Charging the Battery' and listen at a lower volume for better results.

The battery may be reaching the end of its service life and will need to be removed. See the section entitled 'Battery Safety'.

#### Specifications

Product Code: EE2659

Bluetooth Version: 2.1 + EDR

Wireless Range: 10 m

Speaker Output: 3 W

Power Supply: 5 V 1 A DC

Working Voltage: 5 V

Rechargeable Battery: 300 mAh

Cycle between functions by pressing 'MODE' until the desired operation is selected (Bluetooth, Aux., TF and USB).

#### Modes

The speaker must be turned on before using any of the following modes.

##### Bluetooth Mode

**STEP 1:** Once switched on, the LED lights will activate and the speaker will play a tune to signal that it is ready to be paired with a Bluetooth compatible device.

**STEP 2:** Search for the speaker using a Bluetooth compatible device. Select 'EE2659' and pair.

**Note:** Once connected, sound can be controlled using either the speaker or the relevant controls on the Bluetooth compatible device.

##### Aux. Mode

**STEP 1:** Connect the micro USB end of the charging cable to the 5 V 1 A DC