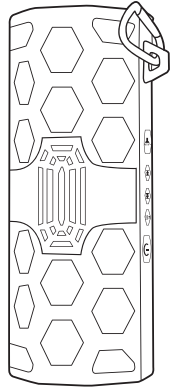


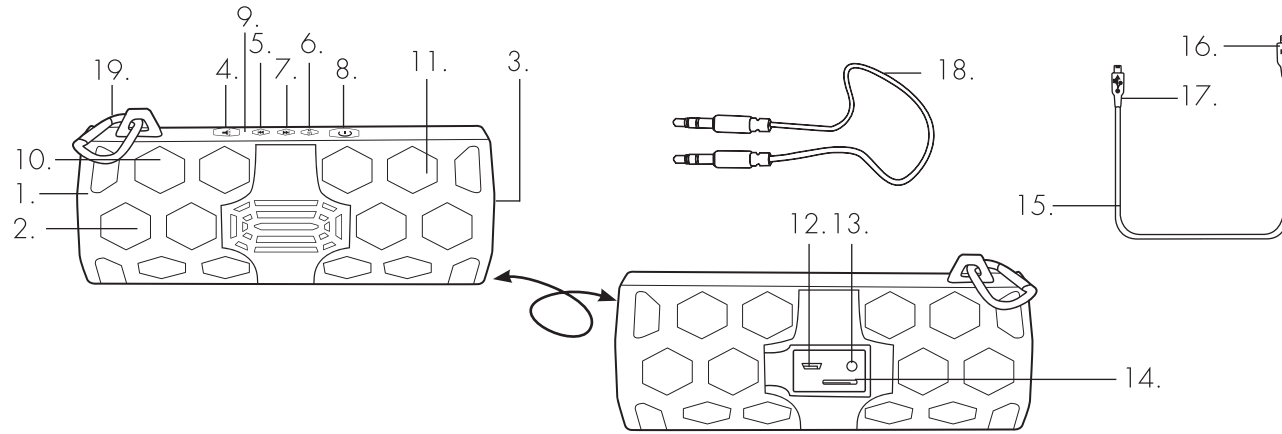
BLUETOOTH® TORCH SPEAKER



intempo®
Making Music Cool

INSTRUCTION MANUAL

Description of Parts



- | | | |
|--|------------------------------------|-------------------------|
| 1. Bluetooth® Torch Speaker Main Unit | 7. Skip/Volume + Button (▶▶) | 14. TF/SD Card Slot |
| 2. Speakers | 8. Power Button (⏻) | 15. USB Charging Cable |
| 3. Built-in LED Torch | 9. LED Indicator Light | 16. USB Connector |
| 4. Torch Button (🔦) | 10. LED Light | 17. Micro USB Connector |
| 5. Skip/Volume – Button (◀◀) | 11. Built-in Hands-free Microphone | 18. Line-In Aux. Cable |
| 6. Play/Pause/Mode/Hands-free Button (⏸) | 12. 5 V 1 A DC Charging Port | 19. Carabiner Clip |
| | 13. Aux. Input Jack | |

become hot during use. Keep the unit free from dust, lint etc. Do not immerse the unit in water or any other liquid. Do not operate the unit with wet hands. Do not operate the unit if it has been exposed to water, moisture or any other liquid, to prevent against electric shock, explosion and/or injury to yourself and damage to the unit. Do not leave the unit unattended whilst connected to another device. Do not use the unit for anything other than its intended use. Do not use any accessories other than those supplied. Do not use this unit outdoors. Do not store the unit in direct

sunlight or in high humidity conditions. Do not put objects into any of the openings. Do not play music at excessive volume levels as damage to hearing and/or the equipment may occur. It is imperative to unplug the USB cable after the unit has been used, before it is cleaned and whilst being repaired. This unit must be placed on a stable, heat-resistant surface. This unit is intended for domestic use only. It should not be used for commercial purposes. To prevent possible hearing damage, do not listen at high volume levels for long periods of time.

Warning: Keep the unit away from flammable materials.

Battery Safety

The supply terminals are not to be short-circuited. In the event of any batteries leaking, do not allow any liquid to come into contact with the skin or eyes. If contact has been made, wash the affected area with copious amounts of water and seek medical advice. Keep batteries out of the reach of children. Avoid storing in direct sunlight. Do not dispose of batteries in a fire. Do not crush, puncture, dismantle or otherwise damage batteries. Do not store above 60 °C.

Please read all instructions carefully before use and retain for future reference.

Safety Instructions

When using electrical units, basic safety precautions should always be followed. Children aged from 8 years and people with reduced physical, sensory or mental capabilities or lack of experience and knowledge can use this unit, only if they have been given supervision or instruction concerning use of the unit in a safe way and understand the hazards involved. Children should be supervised to ensure that they do not play with the unit. Unless they are older than 8 and supervised, children should not

Manufactured by:
UP Global Sourcing UK Ltd.,
Victoria Street,
Manchester M19 0DD, UK.
Made in China.



intempo



Do not expose batteries to heat or fire as they may explode. Do not subject batteries to mechanical shock.

Do not dispose of exhausted batteries in household waste. To dispose of any batteries, take them to a local recycling station. Contact the local government offices for further details.

This unit is fitted with a 3.7 V 1500 mAh Li-ion rechargeable battery (non-removable). UP Global Sourcing UK Ltd. hereby declares that this unit is in compliance with the essential requirements and other provisions of directive 2014/53/EU.

The declaration of conformity may be consulted at UP Global

Sourcing UK Ltd., Victoria Street, Manchester OL9 0DD.

Care and Maintenance

Wipe the Bluetooth® Torch Speaker with a soft, damp, lint-free cloth and allow to dry thoroughly.

Do not:

Immerse the Bluetooth® Torch Speaker in water or any other liquid.

Expose the Bluetooth® Torch Speaker to liquid, moisture or humidity to avoid the unit's internal circuit being affected.

Use any abrasive cleaning solvents to clean the Bluetooth® Torch Speaker, as this can cause damage.

Expose the Bluetooth® Torch Speaker to sharp objects, which

the volume; decrease the volume by pressing and holding '⏮'.

To switch to the next track, press '▶▶'; play the previous track by pressing '◀◀'.

Cycle between functions by pressing '⏮/⏭' until the desired operation is selected.

Activate the built-in LED torch by pressing '🔦'. Cycle between the 3 modes (bright, dim and flashing) by pressing '🔦'.

Press '🔌' to turn off the Bluetooth® Torch Speaker.

Modes

The Bluetooth® Torch Speaker must be turned on before using any of the following modes.

Bluetooth Mode

Pairing with a Bluetooth Compatible Device

STEP 1: Once the Bluetooth® Torch

Speaker has been switched on, the LED indicator light will flash blue rapidly to signal that the capsule speaker is ready to pair.

STEP 2: Search for the Bluetooth® Torch Speaker using a Bluetooth compatible device. Select 'EE2355' and pair. Once a connection has been made, the LED indicator light will remain blue and the speaker will play a tune to indicate that the devices are paired.

Note: Once connected, sound can be controlled using either the Bluetooth® Torch Speaker or the relevant controls on the Bluetooth compatible device.

Making Phone Calls via a Bluetooth Compatible Device

Once the Bluetooth compatible device has been paired with the

Bluetooth Torch® Speaker, phone

calls can be made. STEP 1: Using the Bluetooth compatible device, dial the number to be called and select the Bluetooth/hands-free option. The Bluetooth® Torch Speaker and its built-in microphone will now act as a hands-free device.

STEP 2: To connect or disconnect a call using the Bluetooth® Torch Speaker, press '⏮/⏭'. STEP 3: The volume of the phone call can be controlled using either the Bluetooth® Torch Speaker or the Bluetooth compatible device. STEP 4: To reject an incoming phone call, press and hold '⏮/⏭' for approx. 2–3 seconds.

Getting Started

Remove the unit from the box. Remove any packaging from the unit. Place the packaging inside the box and either store or dispose of safely.

Bluetooth Torch® Speaker, phone calls can be made.

STEP 1: Using the Bluetooth compatible device, dial the number to be called and select the Bluetooth/hands-free option. The Bluetooth® Torch Speaker and its built-in microphone will now act as a hands-free device.

STEP 2: To connect or disconnect a call using the Bluetooth® Torch Speaker, press '⏮/⏭'.

STEP 3: The volume of the phone call can be controlled using either the Bluetooth® Torch Speaker or the Bluetooth compatible device.

STEP 4: To reject an incoming phone call, press and hold '⏮/⏭' for approx. 2–3 seconds.

Aux. Mode

To use Aux. mode, connect one end of the line-in Aux. cable to the

In the Box

Bluetooth® Torch Speaker
USB Charging Cable
Line-in Aux. Cable
Instruction Manual

Features

Bluetooth Version: 2.1 + EDR
Wireless Range: 10 m
Speaker Output: 2 x 3 W
Built-in Rechargeable Battery
Built-in Hands-free Microphone
Built-in Torch
USB Charging Cable (Included)
Line-in Aux. Cable (Included)

Instructions for Use

Charging the Battery

The Bluetooth® Torch Speaker is fitted with a 3.7 V 1500 mAh Li-ion battery. It is recommended that the battery is fully charged before first use; this will take approx. 4–5 hours.

Aux. input port on the back of the Bluetooth® Torch Speaker and the other end to an MP3 player or other compatible audio source.

Note: Once connected, sound can be controlled using the relevant controls on the compatible audio source. The LED indicator light will remain a solid blue during Aux. mode.

TF/SD Card Mode

STEP 1: To use TF/SD mode, insert a TF/SD card (not included) into the TF/SD card slot on the back of the unit.

STEP 2: If the Bluetooth® Torch Speaker does not automatically change to TF/SD mode, press '⏮/⏭' until it is selected.

Connect the micro USB end of the USB charging cable into the 5 V 1 A DC charging port on the Bluetooth® Torch Speaker and the other end to a compatible USB port.

Whilst charging, the LED indicator light will illuminate red. Once the battery has fully charged, the LED indicator light will switch off. Once the Bluetooth® Torch Speaker is fully charged, carefully disconnect both ends of the USB charging cable and store it safely for future use.

Using the Torch Speaker

Basic Functionality

Turn on the Bluetooth® Torch Speaker by pressing '🔌'.

Pause a track by pressing '⏮/⏭'; push it again to resume the track.

Adjust the volume of the Bluetooth® Torch Speaker using '▶▶' and '◀◀'. Press and hold '▶▶' to increase

Note: Once connected, sound can be controlled using the Bluetooth® Torch Speaker. The Bluetooth® Torch Speaker will only recognise MP3 audio files; if other files are present on the TF/SD card, this may prevent the Bluetooth® Torch Speaker from playing.

Specifications

Product Code: EE2355STK
Bluetooth Version: 2.1 + EDR
Wireless Range: 10 m
Speaker Output: 2 x 3 W
Power Supply: 5 V 1 A DC
Working Voltage: 3.7 V
Rechargeable Battery: 1500 mAh