

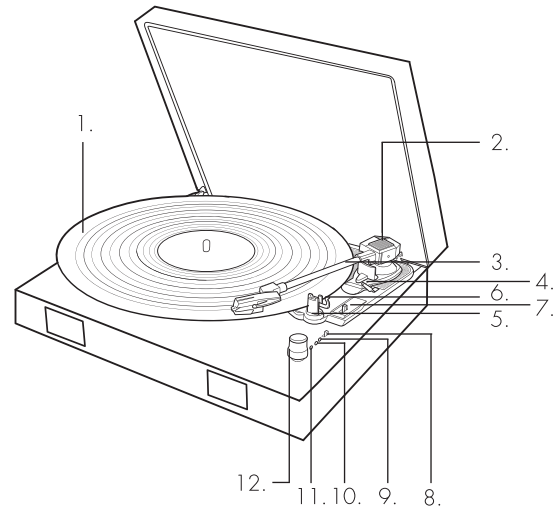
WOOD GRAIN EFFECT TURNTABLE



intempo
Making Music Cool

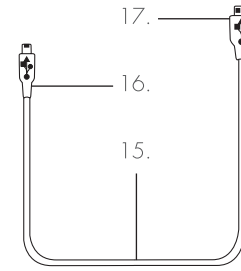
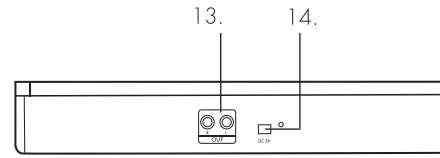
INSTRUCTION MANUAL

Description of Parts



1. Turntable
2. 45 rpm Adaptor
3. Tone Arm
4. Arm Raising Lever
5. Arm Rest
6. Arm Lock

7. Speed Selector
8. Mode Selection Switch
9. Charge Indicator Light
10. Bluetooth Indicator Light
11. Power Indicator Light
12. On/Off/Volume Control Dial



13. RCA Line Output
14. 5V 1A DC Charging Port
15. USB Charging Cable
16. Micro USB Connector
17. USB Connector

user maintenance.
This unit is not a toy.
This unit contains no user serviceable parts. If the unit and any of its accessories are malfunctioning or it has been dropped or damaged, only a qualified electrician should carry out repairs. Improper repairs may place the user at risk of harm. Keep the unit and USB cable out of the reach of children. Keep the unit and USB cable away from heat or sharp edges that could cause damage. Keep the unit away from heat sources, direct sunlight, humidity, water and any other liquid. Keep the USB cable away from any parts of the unit that may become hot during use. Keep the unit free from dust,

lint etc.
Do not immerse the unit in water or any other liquid.
Do not operate the unit with wet hands.
Do not operate the unit if it has been exposed to water, moisture or any other liquid, to prevent against electric shock, explosion and/or injury to yourself and damage to the unit.
Do not leave the unit unattended whilst connected to another device.
Do not use the unit for anything other than its intended use.
Do not use any accessories other than those supplied.
Do not use this unit outdoors.
Do not store the unit in direct sunlight or in high humidity conditions.
Do not put objects into any of

the openings.
Do not play music at excessive volume levels as damage to hearing and/or the equipment may occur.
This unit must be placed on a stable, heat-resistant surface.
This unit is intended for domestic use only. It should not be used for commercial purposes.
To prevent possible hearing damage, do not listen at high volume levels for long periods of time.
Warning: Keep the unit away from flammable materials.
Battery Safety
The supply terminals are not to be short-circuited.
Exhausted batteries should be removed from the product to avoid leakage.

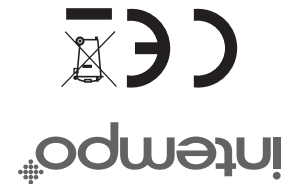
In the event of any batteries leaking, do not allow any liquid to come into contact with the skin or eyes. If contact has been made, wash the affected area with copious amounts of water and seek medical advice. Keep batteries out of the reach of children.
Avoid storing in direct sunlight. Do not dispose of batteries in a fire.
Do not crush, puncture, dismantle or otherwise damage batteries. Do not store above 60 °C. Do not expose batteries to heat or fire as they may explode. Do not subject batteries to mechanical shock.
Do not dispose of exhausted batteries in household waste. To dispose of any batteries, take them to a local recycling station. Contact the local government

Please read all of the instructions carefully and retain for future reference.

Safety Instructions

When using electrical units, basic safety precautions should always be followed. Children aged from 8 years and people with reduced physical, sensory or mental capabilities or lack of experience and knowledge can use this unit, only if they have been given supervision or instruction concerning use of the unit in a safe way and understand the hazards involved. Children should be supervised to ensure that they do not play with the unit. Unless they are older than 8 and supervised, children should not perform cleaning or

Manufactured by:
UP Global Sourcing UK Ltd.,
Victoria Street,
Manchester O19 0DD. UK.
Made in China.
CD110716/M110414/V2



offices for further details.
This unit is fitted with a 1200 mAh Li-ion battery (non-removable).

UP Global Sourcing UK Ltd. hereby declares that this unit is in compliance with the essential requirements and other provisions of directive 2014/53/EU.

The declaration of conformity may be consulted at UP Global Sourcing UK Ltd., Victoria Street, Manchester OL9 0DD.

Care and Maintenance Handling Vinyl Records

Only handle vinyl records with clean hands by holding them using the edge. Touching the surface of a vinyl record will cause the playing quality to deteriorate. Avoid touching the

dial in a clockwise direction to increase the volume; decrease the volume by twisting it in an anticlockwise direction.
Cycle between 'Turntable' and 'Bluetooth' mode using the mode selection switch.
Rotate the on/off/volume control dial in an anticlockwise direction until it clicks to turn off the turntable.

Modes

The turntable must be turned on before using any of the following modes.

Turntable Mode

Listening to a Vinyl Record

STEP 1: Turn on the turntable by rotating the on/off/volume control dial in a clockwise direction.

STEP 2: Select 'Turntable' using the mode selection dial.

STEP 3: Remove the protective white needle cover by gently sliding it away from the tone arm.

STEP 4: Carefully place a record onto the turntable, remembering to apply the 45 rpm adaptor first, if listening to a 45 rpm record

grooves in any vinyl record.
To clean a vinyl record, use a soft, anti-static cloth to gently wipe the surface.

Store vinyl records in the protective sleeve when not in use.

Always store vinyl records upright on the edge.

Avoid placing vinyl records in direct sunlight, close to any heat source (radiators, stoves, etc.) or in a location that may be subject to vibration, excessive dust, heat, cold or moisture.

Cleaning the Portable Bluetooth® Wooden Turntable

Wipe the turntable with a soft, dry, lint-free cloth.

Do not immerse the turntable in water or any other liquid.

Do not expose the turntable to liquid, moisture or humidity to

with a large centre hole.

STEP 5: Unlock the tone arm from the arm lock by pushing it aside.

STEP 6: Raise the tone arm using the arm raising lever or by carefully lifting it.

STEP 7: Move the tone arm across to the outer edge of the record and gently lower it using the arm raising lever; the turntable will begin to spin and play automatically.

STEP 8: Once the record has finished playing, lift away the tone arm and place it back into the arm rest.

STEP 9: Secure the tone arm once more by engaging the arm lock.

STEP 10: Rotate the on/off/volume control dial in an anticlockwise direction until it clicks, to turn off the turntable.

Note: The tone arm must be secured before transporting.

Bluetooth Mode

STEP 1: Select Bluetooth mode using the mode selection switch. The Bluetooth indicator light will flash blue to signal that the turntable is ready to be paired with a Bluetooth compatible device.

STEP 2: Search for the turntable using a

Bluetooth compatible device. Select 'EE2430' to connect and pair. Once a connection has been made, the Bluetooth indicator light will remain solid to signal that the turntable is now paired with the Bluetooth compatible device.

avoid the unit's internal circuit being affected.
Do not use any abrasive cleaning solvents to clean the turntable, as this can cause damage.

Do not expose the turntable to sharp objects, which may cause damage.

Do not expose the turntable to extremely high or low temperatures as this will shorten the life of electronic devices, destroy the battery or distort certain plastic parts.

Do not drop the turntable, as the internal circuit may become damaged.

Do not attempt to disassemble the turntable, as this may cause damage to the unit.

Do not dispose of the turntable in a fire, as it will result in an explosion.

Bluetooth compatible device. Select 'EE2430' to connect and pair. Once a connection has been made, the Bluetooth indicator light will remain solid to signal that the turntable is now paired with the Bluetooth compatible device.

Note: Once connected, sound can be controlled using either the turntable or the relevant controls on the Bluetooth compatible device.

Connecting an External Amplifier/Speaker

STEP 1: Insert an RCA line cable into the RCA line output ports; each jack must be correctly inserted according to the corresponding colour (red and white).

STEP 2: Plug the opposite ends of the RCA line cable into a suitable external amplifier or speaker.

Note: Music played through the turntable will now be emitted from the external amplifier or speaker in addition to the built-in speakers.

Getting Started

Remove the unit from the box.

Remove any packaging from the unit.

Place the packaging inside the box and either store or dispose of safely.

In the Box

Portable Bluetooth® Wooden Turntable

USB Charging Cable

RCA Line Cable

Instruction Manual

Features

Bluetooth Version: 4.2 + EDR

Wireless Range: 10 m

Speaker Output: 2 x 3 W

Built-in Rechargeable Battery

Power Supply: 5 V 1 A DC

USB Charging Cable (Included)

45 rpm Adaptor (Included)

RCA Line Output

Instructions for Use

Charging the Battery

The turntable is fitted with a 3.7 V 1200 mAh Li-ion battery. It is recommended that the

battery is fully charged before first use; this will take approx. 3–5 hours.

Connect the micro USB end of the USB charging cable into the 5 V 1 A DC charging port on the back of the turntable and the other end to a compatible USB port.

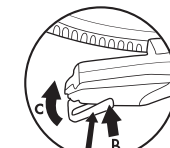
Whilst charging, the charge indicator light will illuminate red. Once the battery has fully charged, the charge indicator light will switch off. Once the turntable is fully charged, carefully disconnect both ends of the USB charging cable and store it safely for future use.

Note: The turntable can still be operated whilst charging the battery but may take longer to fully charge.

Using the Portable Bluetooth® Wooden Turntable

Basic Functionality

Turn on the turntable by rotating the on/off/volume control dial in a clockwise direction; the power indicator light will illuminate red. The dial will also adjust the volume of the turntable. Turn the on/off/volume control



**Guide pins
(inside)**

STEP 2: Push the stylus upward, until it locks into position (C).

Caution: The turntable should be powered off using the on/off volume control dial before replacing the stylus. Do not bend the stylus or touch the needle, as this may cause injury.

Specifications

Product Code: EE2430

Bluetooth Version: 4.2 + EDR

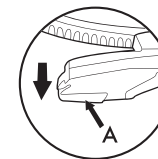
Wireless Range: 10 m

Speakers: 2 x 3 W

Power Supply: 5 V 1 A DC

Working Voltage: 3.7 V

Rechargeable Battery: 1200 mAh



STEP 1: Carefully place a screwdriver at the tip of the stylus and push downward (A).

STEP 2: Remove the old stylus by gently pulling it down and forward simultaneously.

Installing a New Stylus

STEP 1: Hold the stylus at the front edge (needle side) and insert the rear edge onto the tone arm (B).