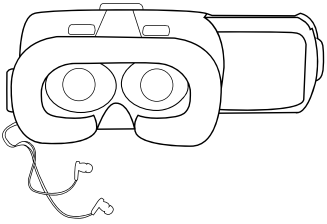


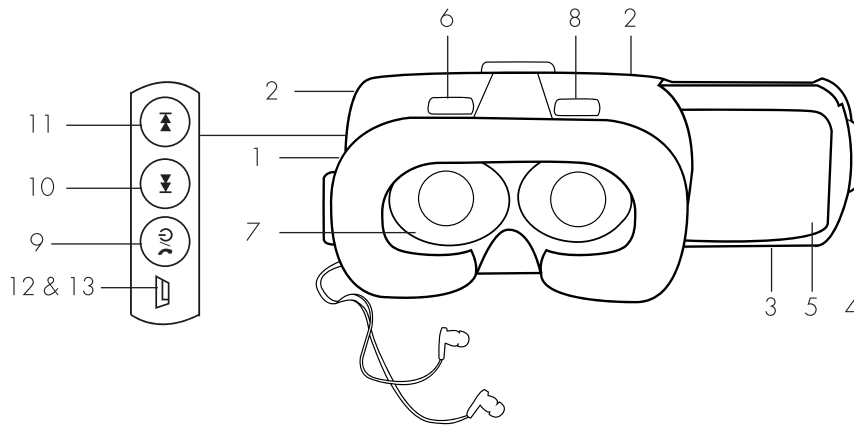
**BLUETOOTH®
3D VIRTUAL
REALITY HEADSET**




INSTRUCTION MANUAL

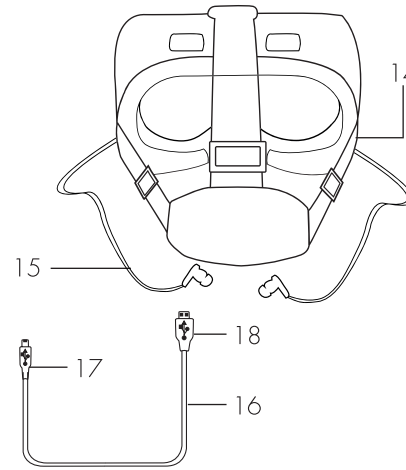


intempo®
Making Music Cool

Description of Parts



- 1. Bluetooth® 3D Virtual Reality Headset Main Unit
- 2. Front Cover
- 3. Removable Panel
- 4. Retractable Tab
- 5. Mobile Device Rest
- 6. Lens Adjustment Control
- 7. Lenses
- 8. Distance Adjustment Controls
- 9. Power Button ()
- 10. Skip << Button ()
- 11. Skip >> Button ()
- 12. LED Indicator Light



- 13. 5 V 1 A DC Charging Port
- 14. 3-way Adjustable Head Strap
- 15. Built-in Earphones
- 16. USB Charging Cable
- 17. Micro USB Connector
- 18. USB Connector


Please read all of the instructions carefully and retain for future reference.

Safety Instructions

When using this unit, basic safety precautions should always be followed. Children aged from 8 years and people with reduced physical, sensory or mental capabilities or lack of experience and knowledge can use this unit, only if they have been given supervision or instruction concerning use of the unit in a safe way and understand the hazards involved. Children should be supervised to ensure that they do not play with the unit. Unless they are older than 8 and supervised, children should not perform cleaning or user maintenance. This unit is not a toy. This unit contains no user serviceable parts. If the unit and any of its

accessories are malfunctioning or it has been dropped or damaged, only a qualified person should carry out repairs. Improper repairs may place the user at risk of harm. Keep the unit and USB out of the reach of children. Keep the unit and USB away from heat or sharp edges that could cause damage. Keep the unit and USB away from heat sources, direct sunlight, humidity, water and any other liquid. Keep the unit and USB free from dust, lint etc. Do not immerse the unit and USB in water or any other liquid. Do not operate the unit and USB with wet hands. Do not operate the unit and USB if it has been exposed to water, moisture or any other liquid, to prevent against electric shock, explosion and/or injury

to yourself and damage to the unit. Do not use the unit and USB for anything other than its intended use. Do not use any accessories other than those supplied. Do not store the unit and USB in direct sunlight or in high humidity conditions. Do not put objects into any of the openings. This unit and USB is intended for domestic use only. It should not be used for commercial purposes.

 To prevent possible hearing damage, do not listen at high volume levels for long periods of time.

Warning: Keep the unit and USB away from flammable materials.

Battery Safety

The supply terminals are not to be short-circuited. In the event of the battery leaking,

do not allow any liquid to come into contact with the skin or eyes. If contact has been made, wash the affected area with copious amounts of water and seek medical advice. Keep the battery out of the reach of children. Avoid storing the battery in direct sunlight. Do not dispose of the battery in a fire. Do not crush, puncture, dismantle or otherwise damage the battery. Do not store above 60 °C. Do not expose the battery to heat or fire as it may explode. Do not subject the battery to mechanical shock. Do not dispose of the exhausted battery in household waste. To dispose of the exhausted battery, take it to a local recycling station. Contact the local government offices

for further details. This unit is fitted with a non-removable 160 mAh Lithium-polymer battery.

General Precautions

1. The unit should be adjusted for each individual user. Failure to do so may increase the risk of discomfort.
2. Some people may suffer from severe dizziness, seizures, epileptic seizures or blackouts triggered by light flashes or patterns, which may occur whilst watching TV, playing video games or experiencing virtual reality, even if they have never had a seizure or blackout before or have no history of seizures or epilepsy. Anyone who has suffered from a seizure, loss of awareness or any other symptoms linked to an epileptic condition should consult a doctor before using the unit.
3. It is recommended to consult

1/0000000000/VI

Manufactured by UP Global Sourcing,
Victoria Street,
Manchester O19 0DD, UK.
Made in China.



a doctor before using the unit if pregnant, elderly or suffering from a heart condition or other serious medical condition.

4. This unit provides an immersive virtual reality performance that can distract from and block the view of actual surroundings. Always be aware of the surroundings when using the unit. Remain seated whenever possible and stay away from other people, objects, stairs, balconies, windows, furniture or other hazards that could be tripped over, bumped into or knocked down, during and immediately after use. Do not handle sharp or otherwise dangerous objects whilst using the unit. Never use the unit in situations that require attention, such as walking, driving or cycling.

5. Only use for a few minutes at a time at first. Gradually increase the

amount of time using the unit, until accustomed to virtual reality.

6. Do not use the unit whilst tired or under the influence of alcohol or drugs, as this can increase susceptibility to adverse symptoms.

7. Take a 10–15 minute break every hour. Take more frequent or longer breaks if discomfort is felt.

8. DISCONTINUE USE OF THE UNIT IMMEDIATELY if any of the following symptoms are experienced: seizures, loss of awareness, eye or muscle twitching, involuntary movement, altered, blurred or double vision, a feeling of detachment from the body or reality, dizziness, disorientation, disrupted balance, nausea, lightheadedness, discomfort or pain in the head or eyes, drowsiness, fatigue or any other symptoms similar to motion sickness. Do not use the unit until all of the

symptoms have completely subsided after several hours. Ensure that the unit is properly configured before resuming use. Do not drive, operate machinery or engage in any other high-consequence activity (i.e. those that could lead to death, personal injury or damage to property) until fully recovered from any symptoms that may have been experienced.

9. Do not expose the lenses to sun rays.

Care and Maintenance

Wipe the 3D headset with a soft, damp, lint-free cloth and allow to dry thoroughly. If necessary, clean the lenses using the lens cloth provided.

Do not:

Immerse the 3D headset in water or any other liquid.
Expose the 3D headset to liquid,

moisture or humidity.

Use any abrasive cleaning solvents to clean the 3D headset, as this can cause damage.

Expose the 3D headset to sharp objects, which may cause damage.

Expose the 3D headset to extremely high or low temperatures.

Drop the 3D headset.

Attempt to disassemble the 3D headset, as this may cause damage to the unit.
Dispose of the 3D headset in a fire.

Getting Started

Remove the unit from the box.

Remove any packaging from the unit.

Place the packaging inside the box and either store or dispose of safely.

In the Box

Bluetooth® 3D Virtual Reality Headset
Lens Cloth
3-way Adjustable Head Strap
3 Rubber Pads
USB Charging Cable
Instruction Manual

Making Phone Calls via a Bluetooth Compatible Device

Once the Bluetooth compatible device has been paired with the 3D headset, phone calls can be made.

STEP 1: Using the Bluetooth compatible device, dial the number to be called and select the Bluetooth/hands-free option. The 3D headset with its built-in microphone and earphones will now act as a hands-free device.

STEP 2: To connect or disconnect a call using the 3D headset, press **📞**.

STEP 3: The volume of the phone call can be controlled using either the 3D headset or the Bluetooth compatible device.

STEP 4: To reject an incoming phone call, press and hold 'Power' for approximately 2–3 seconds.

Storage

Before storing the 3D headset, ensure that it is clean and dry.
Store in a cool, dry place.

Troubleshooting

The image appears doubled/split.

The mobile device is not centred in the mobile device rest. Remove the mobile device from

Features

3-way Adjustable Head Strap
Sturdy Smartphone Cradle
High Precision, Spherical Resin Lenses
Built-in Earphones
Bluetooth Version: 3.0
Wireless Range: 10 m
Lens Separation Range: 10 mm
Focal Adjustment Range: 10 mm
Field of View (FOV): 70–90 °

Instructions for Use

Adjusting the 3-way Adjustable Head Strap

Adjust each strap to the desired length, making sure that it sits comfortably on the user's head.

Charging the Battery

The 3D headset is fitted with a 160 mAh Lithium-polymer battery. It is recommended that the battery is fully charged before first use; this will take approximately 2 hours. Connect the micro USB end of the USB charging cable into the 5 V 1 A DC charging port on the 3D headset and the other end to a compatible USB port.

the 3D headset and reinstall it following the instructions in the section entitled 'Installing a Mobile Device'. Check that the mobile device is centred in the mobile device rest before sliding back the removable panel and using the 3D headset.

The distance between the lenses is not set correctly. Follow the instructions in the section entitled 'Adjusting the Lenses'.

The image appears blurred.

The focal distance is not set correctly. Follow the instructions in the section entitled 'Adjusting the Lenses'.

Dust, fingerprints or smudges are on the lenses. Use the lens cloth provided to clean the lenses on both the back and front of the 3D headset.

Specifications

Product Code: EE2226
Bluetooth Version: 3.0
Maximum Mobile Device Size:
155 mm x 75 mm
Lens Separation Range: 10 mm
Focal Adjustment Range: 10 mm
Field of View (FOV): 70–90 °
Battery: 160 mAh Lithium-polymer

Whilst charging, the LED indicator light will illuminate red.

Once the battery has fully charged, the LED indicator light will switch off. Carefully disconnect both ends of the USB charging cable and store it safely for future use.

Installing a Mobile Device

Prepare the desired visual material prior to installing a mobile device. Once prepared, follow the below instructions.

STEP 1: Slide the removable panel out from the 3D headset main unit.

STEP 2: To prevent any buttons on the mobile device from being pressed during use, stick the rubber pads (included) into the relevant positions where the mobile device buttons will sit, on the mobile phone rest.

STEP 3: To install the mobile device, apply slight pressure to the retractable tab by carefully guiding the mobile device into the mobile device rest until it is held securely in place. Make sure that the screen is facing towards the user.

STEP 4: Check that the mobile device is centred in the mobile device rest and that any buttons located on the side are protected

by the rubber pads and not being pressed.

STEP 5: Slide the removable panel back into the 3D headset until it locks into position; the mobile device should be against the viewing area.

STEP 6: To access the camera on the mobile device, slide open the front cover on the 3D headset.

Note: If preparing to watch a video or play a game, ensure that it is playing and that any controllers are connected before installing the mobile device into the 3D headset.

Caution: Be careful when installing the mobile device, as the retractable tab may cause injury to the user.

Adjusting the Lenses

Once a mobile device has been installed with the video or game prepared, the lenses can be adjusted.

STEP 1: To set the distance between the lenses, slide the lens adjustment control to the left or right until they are in the desired position.

STEP 2: Turn the distance adjustment controls back and forth to set the required focal distance; adjust evenly on each side for a better range of focus. It is recommended to close one eye and set the focal distance one lens at a time until the image is clear.

Bluetooth Mode

Ensure that the 3D headset is turned on before using the Bluetooth mode.

Pairing with a Bluetooth Compatible Device

STEP 1: Press **📞** until Bluetooth mode is selected. Once activated, the LED indicator light will flash blue to indicate that the 3D headset is ready to pair.

STEP 2: Search for the 3D headset using a Bluetooth compatible device. Select 'EE2226' and pair. Once a connection has been made, the LED indicator light will remain blue.

Note: Once connected, sound can be controlled using **⏪** and **⏩**.
Play/pause a track by pressing **📞**.