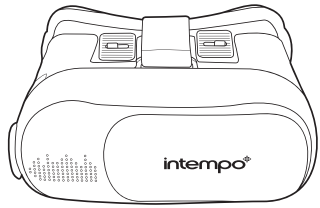


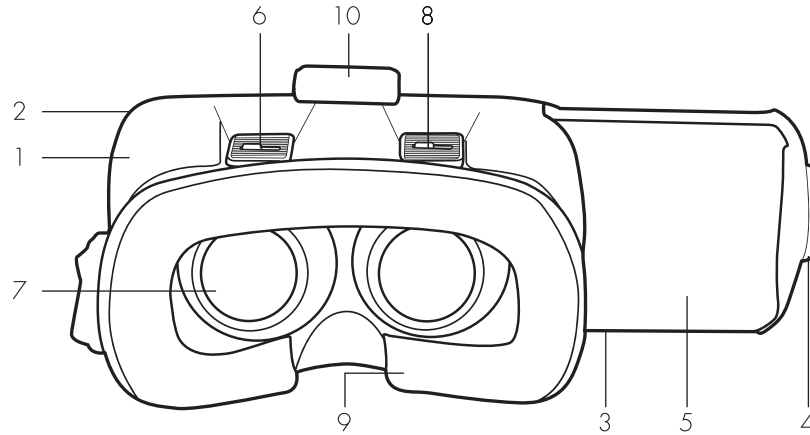
CAPTURE 3D VIRTUAL REALITY HEADSET



intempo
Making Music Cool

INSTRUCTION MANUAL

Description of Parts



- | | |
|---|---------------------------------|
| 1. Capture 3D Virtual Reality Headset Main Unit | 6. Lens Adjustment Control |
| 2. Front Cover | 7. Lenses |
| 3. Removable Panel | 8. Distance Adjustment Controls |
| 4. Retractable Tab | 9. Foam Cushioning |
| 5. Mobile Device Rest | 10. 3-way Head Strap |

Keep the unit away from heat or sharp edges that could cause damage. Keep the unit away from heat sources, direct sunlight, humidity, water and any other liquid. Keep the unit free from dust, lint etc. Do not immerse the unit in water or any other liquid. Do not operate the unit with wet hands. Do not operate the unit if it has been exposed to water, moisture or any other liquid, to prevent against electric shock, explosion and/or injury to yourself

and damage to the unit. Do not use the unit for anything other than its intended use. Do not use any accessories other than those supplied. Do not store the unit in direct sunlight or in high humidity conditions. Do not put objects into any of the openings. This unit is intended for domestic use only. It should not be used for commercial purposes. **Warning:** Keep the unit away from flammable materials.

General Precautions

1. The unit should be adjusted for each individual user. Failure to do so may increase the risk of discomfort.
2. Some people may suffer from severe dizziness, seizures, epileptic seizures or blackouts triggered by light flashes or patterns, which may occur whilst watching TV, playing video games or experiencing virtual reality, even if they have never had a seizure or blackout before or have no history of seizures or epilepsy. Anyone who has suffered from a seizure, loss of awareness or any other

Please read all of the instructions carefully and retain for future reference.

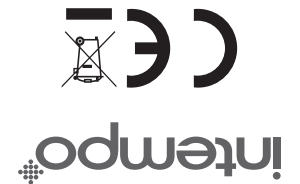
Safety Instructions

When using this unit, basic safety precautions should always be followed. Children aged from 8 years and people with reduced physical, sensory or mental capabilities or lack of experience and knowledge can use this unit, only if they have been given supervision or instruction concerning use of the unit in a safe way and understand the hazards involved.

Children should be supervised to ensure that they do not play with the unit. Unless they are older than 8 and supervised, children should not perform cleaning or user maintenance. This unit is not a toy. This unit contains no user serviceable parts. If the unit and any of its accessories are malfunctioning or it has been dropped or damaged, only a qualified person should carry out repairs. Improper repairs may place the user at risk of harm. Keep the unit out of the reach of children.

3. It is recommended to consult a doctor before using the unit if pregnant, elderly or suffering from a heart condition or other serious medical condition.
4. This unit provides an immersive virtual reality performance that can distract from and block the view of actual surroundings. Always be aware of the surroundings when using the unit. Remain seated whenever possible and stay away from other people, objects, stairs, balconies, windows, furniture or other

CD050417/M0000000/VI
Made in China.
Manchester O19 0DD, UK.
Victoria Street,
UP Global Sourcing UK Ltd.,
Manufactured by



hazards that could be tripped over, bumped into or knocked down, during and immediately after use. Do not handle sharp or otherwise dangerous objects whilst using the unit. Never use the unit in situations that require attention, such as walking, driving or cycling.

5. Only use for a few minutes at a time at first. Gradually increase the amount of time using the unit, until accustomed to virtual reality.

6. Do not use the unit whilst tired or under the influence of alcohol or drugs, as this can increase susceptibility to adverse symptoms.

7. Take a 10–15 minute break every hour. Take more frequent or longer breaks if discomfort is felt.

8. DISCONTINUE USE OF THE UNIT IMMEDIATELY if any of the following symptoms are experienced: seizures, loss of awareness, eye or muscle twitching, involuntary movement, altered, blurred or double vision, a feeling of detachment from the body or reality, dizziness, disorientation, disrupted balance, nausea, lightheadedness, discomfort or pain in the head or eyes, drowsiness, fatigue or any

other symptoms similar to motion sickness. Do not use the unit until all of the symptoms have completely subsided after several hours. Ensure that the unit is properly configured before resuming use. Do not drive, operate machinery or engage in any other high-consequence activity (i.e. those that could lead to death, personal injury or damage to property) until fully recovered from any symptoms that may have been experienced.

9. Do not expose the lenses to sun rays.

Care and Maintenance

Wipe the 3D headset with a soft, damp, lint-free cloth and allow to dry thoroughly. If necessary, clean the lenses using the lens cloth provided.

Do not:

Immerse the 3D headset in water or any other liquid. Expose the 3D headset to liquid, moisture or humidity. Use any abrasive cleaning solvents to clean the 3D headset, as this can cause damage. Expose the 3D headset to sharp objects, which may cause damage. Expose the 3D headset

to extremely high or low temperatures. Drop the 3D headset. Attempt to disassemble the 3D headset, as this may cause damage to the unit. Dispose of the 3D headset in a fire.

Getting Started

Remove the unit from the box. Remove any packaging from the unit. Place the packaging inside the box and either store or dispose of safely.

In the Box

Capture 3D Virtual Reality Headset
Lens Cloth
3-way Head Strap
3 Rubber Pads
Instruction Manual

Features

3-way Head Strap
Sturdy Smartphone Cradle
High Precision, Spherical Resin Lenses
Lens Separation Range: 45–70 mm
Focal Adjustment Range: 58–65 mm
Field of View (FOV): 90–140 °

Instructions for Use

Installing a Mobile Device

Prepare the desired visual material prior to installing a mobile device. Once prepared, follow the below instructions.

STEP 1: Slide the removable panel out from the 3D headset main unit.

STEP 2: To prevent any buttons on the mobile device from being pressed during use, stick the rubber pads (included) into the relevant positions where the mobile device buttons will sit, on the mobile phone rest.

STEP 3: To install the mobile device, apply slight pressure to the retractable tab by carefully guiding the mobile device into the mobile device rest until it is held securely in place. Make sure that the screen is facing towards the user.

STEP 4: Check that the mobile device is centred in the mobile device rest and that any buttons located on the side are protected by the rubber pads and not being pressed.

STEP 5: Slide the removable panel back into the 3D headset until it locks into position; the mobile device should be against the viewing area.

STEP 6: If using wired headphones or earphones, thread the cable through the open areas on the side of the 3D headset main unit and plug the Aux. input jack into the Aux. input port on the mobile device.

STEP 7: To access the camera on the mobile device, slide open the front cover on the 3D headset.

Note: If preparing to watch a video or play a game, ensure that it is playing and that any controllers are connected before installing the mobile device into the 3D headset.

Caution: Be careful when installing the mobile device, as the retractable tab may cause injury to the user.

Adjusting the Lenses

Once a mobile device has been installed with the video or game prepared, the lenses can be adjusted.

STEP 1: To set the distance between the lenses, slide the lens adjustment control

to the left or right until they are in the desired position.

STEP 2: Turn the distance adjustment controls back and forth to set the required focal distance; adjust evenly on each side for a better range of focus. It is recommended to close one eye and set the focal distance one lens at a time until the image is clear.

Storage

Before storing the 3D headset, ensure that it is clean and dry. Store in a cool, dry place.

Troubleshooting

The image appears doubled/split.

The mobile device is not centred in the mobile device rest. Remove the mobile device from the 3D headset and reinstall it following the instructions in the section entitled 'Installing a Mobile Device'. Check that the mobile device is centred

in the mobile device rest before sliding back the removable panel and using the 3D headset.

The distance between the lenses is not set correctly. Follow the instructions in the section entitled 'Adjusting the Lenses'.

The image appears blurred.

The focal distance is not set correctly. Follow the instructions in the section entitled 'Adjusting the Lenses'. Dust, fingerprints or smudges are on the lenses. Use the lens cloth provided to clean the lenses on both the back and front of the 3D headset.

Specifications

Product Code: EE2224
Maximum Mobile Device Size:
155 x 75 mm
Lens Separation Range: 45–70 mm
Focal Adjustment Range: 58–65 mm
Field of View (FOV): 90–140 °