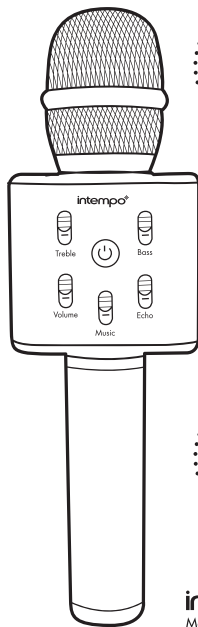


KARAOKE MICROPHONE



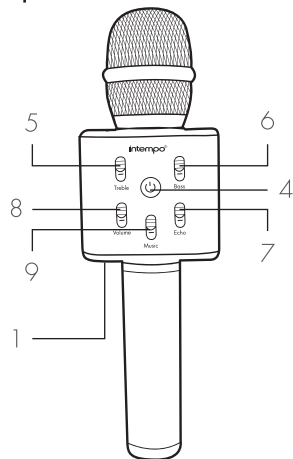
Bluetooth
WIRELESS
SOUND

BUILT-IN
SPEAKERS

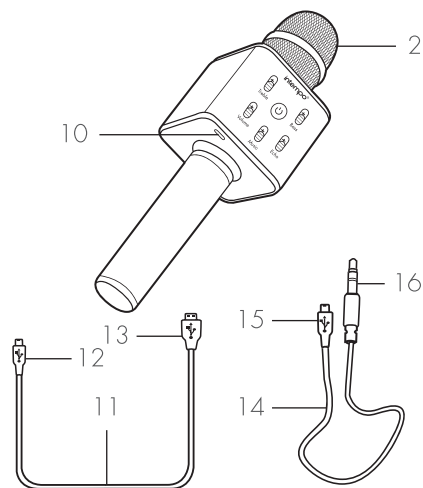
intempo[®]
Making Music Cool

INSTRUCTION MANUAL

Description of Parts



1. Karaoke Microphone Main Unit
2. Speakers
3. LED Indicator Light
4. On/Off Button (⏻)
5. Treble Slider
6. Bass Slider
7. Echo Slider
8. Microphone Volume Slider



9. Music Volume Slider
10. 5 V 1 A DC Charging Port
11. USB Charging Cable
12. Micro USB Connector
13. USB Connector
14. Micro USB to Aux. Cable
15. Micro USB Connector
16. Aux. Jack

Please read all of the instructions carefully and retain for future reference.

Safety Instructions

When using electrical units, basic safety precautions should always be followed.

Children aged from 8 years and people with reduced physical, sensory or mental capabilities or lack of experience and knowledge can use this unit, only if they have been given supervision or instruction concerning use of the unit in a safe way and understand the hazards involved.

Children should be supervised to ensure that they do not play with the unit.

Unless they are older than 8 and supervised, children should not perform cleaning or user maintenance.

This unit is not a toy.

This unit contains no user serviceable parts. If the unit and any of its accessories are malfunctioning or it has been dropped or damaged, only a qualified electrician should carry out repairs. Improper repairs may place the user at risk of harm. Keep the unit and USB cable out of the reach of children.

Keep the unit and USB cable away from heat or sharp edges that could cause damage.

Keep the unit away from heat sources, direct sunlight, humidity, water and any other liquid.

Keep the USB cable away from any parts of the unit that may become hot during use. Keep the unit free from dust, lint etc.

Do not immerse the unit in water or any other liquid.

Do not operate the unit with wet hands.

Do not operate the unit if it has been exposed to water, moisture or any other liquid, to prevent against electric shock, explosion and/or injury to yourself and damage to the unit.

Do not leave the unit unattended whilst connected to another device.

Do not use the unit for anything other than its intended use.

Do not use any accessories other than those supplied.

Do not use this unit outdoors.

Do not store the unit in direct sunlight or in high humidity conditions.

Do not put objects into any of the openings.

Do not play music at excessive volume levels as damage to hearing and/or the equipment may occur.

It is imperative to unplug the USB cable after the unit has been used, before it is cleaned and whilst being repaired.

This unit is intended for domestic use only. It should not be used for commercial purposes.

To prevent possible hearing damage, do not listen at high volume levels for long periods of time.

Warning: Keep the unit away from flammable materials.

Battery Safety

The battery unit should not be placed near excessive heat sources, such as fire.

The supply terminals are not to be short-circuited.

Exhausted batteries should be removed from the unit to avoid leakage.

In the event of the battery leaking, do not allow any liquid to come into contact with the skin or eyes.

If contact has been made, wash the affected area with copious amounts of water and seek medical advice.

Keep batteries out of the reach of children.

Avoid storing in direct sunlight.

Do not dispose of the battery unit in a fire.

Do not crush, puncture, dismantle or otherwise damage the battery.

Do not store above 60 °C.

Do not expose batteries to heat or fire as they may explode.

Do not subject the battery to mechanical shock.

Do not dispose of the exhausted battery in your household waste.

To dispose of the exhausted battery, take it to a local recycling station. Contact the local government offices for further details.

This unit is fitted with a 3.7 V 2000 mAh Li-ion battery.

CD010317/M000000/V1

Made in China.

Manchester O19 0DD, UK.
Victoria Street,

Manufactured by UF Global Sourcing,



intempo



UP Global Sourcing UK Ltd. hereby declares that this unit is in compliance with the essential requirements and other provisions of directive 2014/53/EU.

The declaration of conformity may be consulted at UP Global Sourcing, Victoria Street, Manchester, OL9 0DD.

Care and Maintenance

Wipe the Karaoke Microphone with a soft, damp, lint-free cloth and allow to dry thoroughly.

Do not:

Immerse the Karaoke Microphone in water or any other liquid. Expose the Karaoke Microphone to liquid, moisture or humidity to avoid the unit's internal circuit being affected.

to increase the treble; decrease the treble by sliding it downwards.

STEP 5: Modify the bass settings to change the fullness of sound emitted by the Karaoke Microphone, leaving it richer and fuller without any heaviness. Slide the bass slider upwards to increase the bass; decrease the bass by sliding it downwards.

STEP 6: Adjust the echo settings by using the echo slider. Slide the echo slider upwards to increase the echo; decrease the echo by sliding it downwards.

STEP 7: Press '⏻' to turn off the Karaoke Microphone.

Modes

Ensure that the Karaoke Microphone is turned on before using any of the following modes.

Use any abrasive cleaning solvents to clean the Karaoke Microphone, as this can cause damage. Expose the Karaoke Microphone to sharp objects, which may cause damage.

Expose the Karaoke Microphone to extremely high or low temperatures as this will shorten the life of electronic devices, destroy the battery or distort certain plastic parts.

Drop the Karaoke Microphone as the internal circuit may become damaged.

Attempt to disassemble the Karaoke Microphone, as this may cause damage to the unit. Dispose of the Karaoke Microphone in a fire, as it will result in an explosion.

Bluetooth Mode

STEP 1: Once the Karaoke Microphone has been turned on, the LED indicator light will remain a solid blue to indicate that the Karaoke Microphone is ready to pair.

STEP 2: Search for the Karaoke Microphone using a Bluetooth compatible device. Select 'EE2221' and pair. Once a connection has been made, the LED indicator light will remain blue and the Karaoke Microphone will play a tune to indicate that the devices are paired.

Note: Once connected, sound can be controlled using either the Karaoke Microphone or the relevant controls on the Bluetooth compatible device.

Getting Started

Remove the unit from the box. Remove any packaging from the unit. Place the packaging inside the box and either store or dispose of safely.

In the Box

Karaoke Microphone
USB Charging Cable
Micro USB to Aux. Cable
Instruction Manual

Features

Bluetooth Connectivity: 3.0
Wireless Range: 10 m
Speaker Output: 2 x 3 W
Built-in Rechargeable Battery
USB Charging Cable (Included)
Micro USB to Aux. Cable (Included)
Treble, Bass and Echo Control

Aux. Mode

To use Aux. mode, connect the Micro USB end of the Micro USB to Aux. cable to the 5 V 1 A DC charging port on the Karaoke Microphone and the other end to an MP3 player or other compatible audio source.

Note: Once connected, sound can be controlled using the relevant controls on the compatible audio source. The LED indicator light will remain a solid blue during Aux. mode.

Troubleshooting

The Karaoke Microphone has no power.

The Karaoke Microphone has run out of charge. Charge the Karaoke Microphone following the instructions in the section entitled 'Charging the Battery'.

Instructions for Use

Charging the Battery

The Karaoke Microphone is fitted with a 3.7 V 2000 mAh Li-ion battery. It is recommended that the battery is fully charged before first use; this will take approximately 4–5 hours. Connect the micro USB end of the USB charging cable into the 5 V 1 A DC charging port on the Karaoke Microphone and the other end to a compatible USB port. Whilst charging, the LED indicator light will illuminate red. Once the battery has fully charged, the LED indicator light will switch off. Carefully disconnect both ends of the USB charging cable and store it safely for future use.

The Karaoke Microphone has no sound.

The volume level is set too low. Check that the volume level is set at an audible level and adjust accordingly with the connected device.

The Karaoke Microphone is not paired with a Bluetooth compatible device. Follow the instructions in the section entitled 'Bluetooth Mode'.

The Karaoke Microphone is not connected to a compatible audio source. Follow the instructions in the section entitled 'Aux. Mode'.

Unable to pair a device with the Karaoke Microphone.

The Bluetooth device is not compatible with the Karaoke Microphone. Ensure that the Bluetooth device is compatible with the Karaoke Microphone and that the Bluetooth function is switched on.

Using the Karaoke Microphone

Basic Functionality

STEP 1: Turn on the Karaoke Microphone by pressing '⏻'.

STEP 2: Adjust the volume of the Karaoke Microphone using the microphone volume slider. Slide the microphone volume slider upwards to increase the volume; decrease the volume by sliding it downwards.

STEP 3: Modify the volume of the music using the music volume slider. Slide the music volume slider upwards to increase the volume; decrease the volume by sliding it downwards.

STEP 4: Adjust the treble settings to change the clarity of sound emitted by the Karaoke Microphone, leaving it clearer and more detailed without any shrillness. Slide the treble slider upwards

The charge of the Karaoke Microphone depletes quickly.

The volume level is set too high. Excessive use of the Karaoke Microphone at high volumes will drain the battery quickly. Charge the Karaoke Microphone following the instructions in the section entitled 'Charging the Battery' and listen at a lower volume for better results. The battery may be reaching the end of its service life and will need to be removed. See the section entitled 'Battery Safety'.

Specifications

Product Code: EE2221
Bluetooth Version: 3.0
Wireless Range: 10 m
Speaker Output: 2 x 3 W
Power Supply: 5 V 1 A DC
Working Voltage: 3.7 V
Rechargeable Battery: 2000 mAh