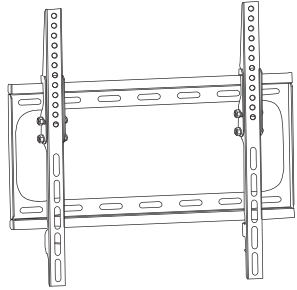


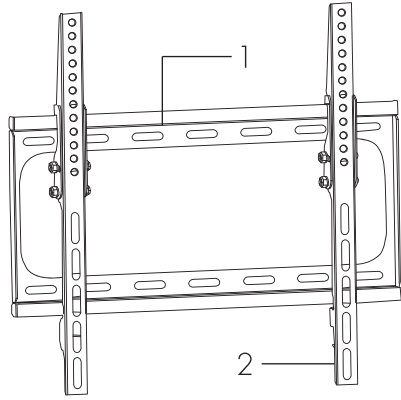
32-55 " TELEVISION BRACKET



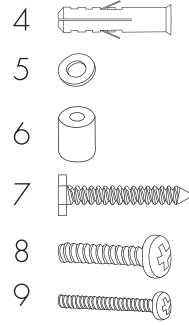
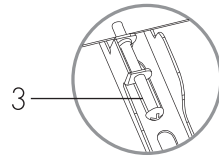
intempo
Making Music Cool

INSTRUCTION MANUAL

Description of Parts



1. Wall Plate
2. Tilting Mount(s)
3. Safety Screw(s)
4. Wall Plugs (qty. 4)
5. Safety Washers (qty. 8)



6. Plastic Washers (qty. 4)
7. M8 x 50 mm Screws (qty. 4)
8. M8 x 25 mm Screws (qty. 4)
9. M6 x 25 mm Screws (qty. 4)

wall that can support up to 300 kg of weight.

Do not:

Immerse the TV bracket in water or any other liquid. Use any abrasive cleaning solvents to clean the TV mount, as this can cause damage. Expose the TV bracket to liquid, moisture or humidity. Expose the TV bracket to sharp objects, which may cause damage. Expose the TV bracket to extremely high or low temperatures. Drop the TV bracket. Dispose of the TV bracket in a fire.

Getting Started

Remove the unit from the box. Remove any packaging from the unit. Place the packaging inside the box and either store or dispose of safely.

In the Box

Wall Plate
Tilting Mounts
Wall Plugs (qty. 4)
Safety Washers (qty. 8)
Plastic Washers (qty. 4)
M8 x 50 mm Screws (qty. 4)
M8 x 25 mm Screws (qty. 4)
M6 x 25 mm Screws (qty. 4)
Instruction Manual

Features

Solid Steel Construction
Stylish Black Finish

Please read all of the instructions carefully and retain for future reference.

Safety Instructions

Children should not carry out cleaning or user maintenance without supervision. Children should be supervised to ensure that they do not play with the unit.

This product is not a toy. Keep the unit out of the reach of children.

This unit contains small parts. This unit is intended for indoor use only.

The unit requires a 2-person installation. Install the unit onto a flat wall,

made from concrete or brick. Do not install the unit onto a wall that is prone to vibration, movement or any possible impact. Do not install the unit near fireplaces, heaters or air conditioning equipment. Do not store the unit in direct sunlight. Do not use the unit for anything other than its intended use. This unit is intended for domestic use only. It should not be used for commercial purposes. **Note:** If installation of the unit proves difficult, consult a qualified installation specialist.

Improper installation may place the user at risk of harm. **Caution:** Do not exceed the Max. capacity of the unit (40 kg), as this causes damage to the unit or injury to the user. UP Global Sourcing will not be liable for damage or injury caused by incorrect assembly, incorrect installation and/or incorrect use.

Care and Maintenance

Wipe the TV mount with a soft, damp, lint-free cloth and allow to dry thoroughly. If necessary, clean the lenses using the lens cloth provided. **Note:** The TV mount must be installed onto a solid concrete

Supports 32-55 " Televisions
± 10 ° Tilt Both Up and Down
Maximum Weight
Capacity: 40 kg
Extension from Wall: 25 mm
VESA Compliance:
400 x 400 mm
All Fixings Included

Advice Before Fitting

Please retain all of the packaging until all of the parts and the contents of the fixing pack have been checked and counted against the parts list (In the Box). The fixing pack contains small items, which should be kept away from young children. It is suggested that all of the fixing pack contents are placed into a container, to reduce the risk of losing any small pieces.

CD010377/M000000/V1
 Made in China.
 Manchester OL9 0DD. UK.
 Victoria Street,
 UP Global Sourcing,
 Manufactured by



intempo



Figure 1

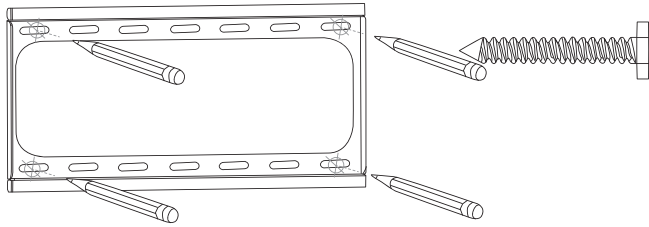


Figure 2

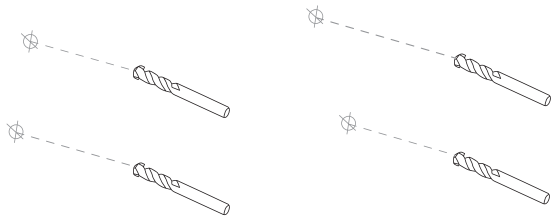


Figure 3

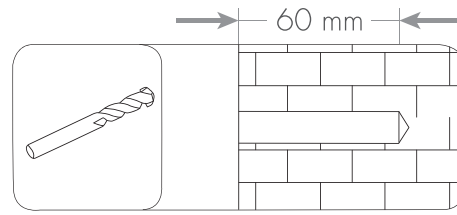


Figure 4

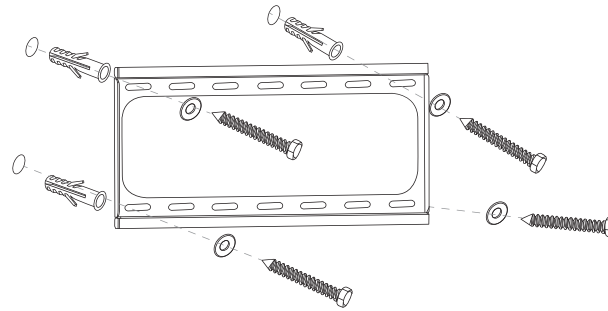


Figure 5

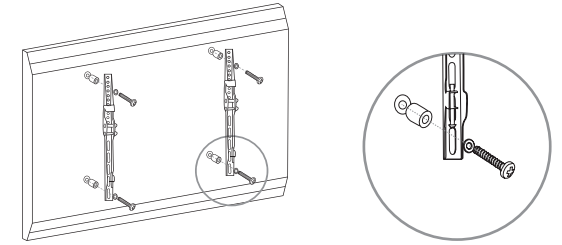
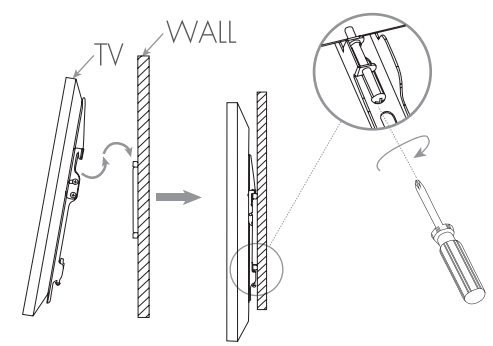


Figure 6



Instructions for Installation

To install the TV bracket, the following tools will be needed:

1. Electric Drill
2. Hammer
3. Crosshead Screwdriver
4. Socket Wrench
5. Masonry Drilling Bit
6. Spirit Level
7. Measuring Tape
8. Pencil

Mounting the Wall Plate to the Wall

STEP 1: Open the fixing pack and place all of the contents into a container. This will reduce the risk of losing any small pieces.

STEP 2: Hold the wall plate against the desired wall, using a

spirit level (not included) to ensure that it is completely straight.

STEP 3: Using a pencil, mark the positions of the screw holes (Figure 1).

STEP 4: Using an electric drill (not included), drill holes approximately 60 mm into the wall where the four positions are marked (Figures 2 and 3).

STEP 5: Insert the wall plugs into the four holes and gently tap them into place with a hammer (not included).

STEP 6: Secure the wall plate to the wall by positioning four safety washers over the holes and then inserting the M8 x 50 mm screws, tightening them with a crosshead screwdriver (not included) (Figure 4).

Attaching the Tilting Mounts to the TV

To attach the tilting mounts to the back of a TV (not included), there are two possible screws that can be used: M8 x 25 mm screws (included) or M6 x 35 mm screws (included). To determine the correct screw size to use to attach the tilting mounts to the TV, refer to the manufacturers' instructions.

STEP 1: Locate the fixing holes on the back of the TV.

STEP 2: Position a plastic washer over one of the holes, followed by one of the tilting mounts, making sure that the hooks on the tilting mounts are positioned towards the top of the TV.

STEP 3: Position a safety washer over the tilting mount

and then insert one of the correct screws, tightening it with a crosshead screwdriver (not included) (Figure 5).

STEP 4: To secure the other end of the tilting mount, repeat steps 2–3.

STEP 5: To attach the second tilting mount, repeat steps 2–3.

Attaching the TV to the Wall Plate

STEP 1: Once the tilting mounts are securely attached to the back of the TV, hook the tilting mount onto the top of the wall plate.

STEP 2: Lock the TV into place by using a crosshead screwdriver (not included) to tighten the safety screws at the bottom of the tilting mounts (Figure 6).

STEP 3: The tilting mounts can be angled 10 ° forwards. To do

so, loosen the safety screws, tilt the TV and then tighten the safety screws back into position.

Troubleshooting

The TV mount is not tilting forward.

The screws at the side of the brackets are tight. Loosen the screws slightly and tilt to the desired position. Once tilted to the position, tighten the screws again to secure.

Specifications

Product Code: EE1926STK
Screen Size: 32–55 "
Tilt: ± 10 °
Maximum Weight Capacity: 40 kg
Extension from Wall: 25 mm
VESA Compliance: 400 x 400 mm