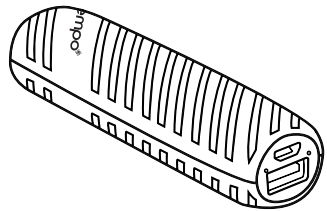


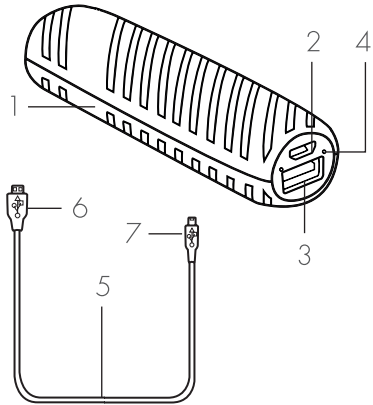
POWER SOURCE



intempo®
Making Music Cool

INSTRUCTION MANUAL

Description of Parts



1. Power Source Portable Charger
2. Micro USB Input Port
3. USB Output Port
4. Power Indicator Light
5. Micro USB Charging Cable
6. Micro USB Connector
7. USB Connector

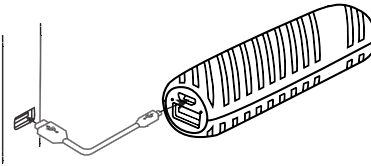
humidity conditions. It is imperative to unplug the USB cable after the unit has been used, before it is cleaned and whilst being repaired. This unit is intended for domestic use only. It should not be used for commercial purposes.

Warning: Keep the unit away from flammable materials.

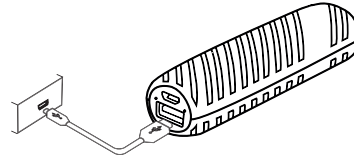
Battery Safety

The battery unit should not be placed near excessive heat sources, such as fire. The supply terminals are not to be short-circuited. Exhausted batteries should be removed from the unit to avoid leakage.

1.



2.



Please read all of the instructions carefully and retain for future reference.

Safety Instructions

When using electrical units, basic safety precautions should always be followed. Children aged from 8 years and people with reduced

In the event of the battery leaking, do not allow any liquid to come into contact with the skin or eyes. If contact has been made, wash the affected area with copious amounts of water and seek medical advice. Keep batteries out of the reach of children. Avoid storing in direct sunlight. Do not dispose of the battery unit in a fire. Do not crush, puncture, dismantle or otherwise damage the battery. Do not store above 60 °C. Do not expose batteries to heat or fire as they may explode. Do not subject the battery

physical, sensory or mental capabilities or lack of experience and knowledge can use this unit, only if they have been given supervision or instruction concerning use of the unit in a safe way and understand the hazards involved. Children should be supervised to ensure that they do not play with the unit. Unless they are older than 8 and supervised, children should not perform cleaning or user maintenance.

This unit is not a toy. This unit contains no user serviceable parts. If the unit and any of its accessories are

malfunctioning or it has been dropped or damaged, only a qualified electrician should carry out repairs. Improper repairs may place the user at risk of harm. Keep the unit and USB cable out of the reach of children. Keep the unit and USB cable away from heat or sharp edges that could cause damage. Keep the unit away from heat sources, direct sunlight, humidity, water and any other liquid. Keep the USB cable away from any parts of the unit that may become hot during use. Keep the unit free from dust, lint etc.

CD280217/M000000/M1

Manufactured by UP Global Sourcing,
Victoria Street,
Manchester M19 0DD, UK.
Made in China.



intempo®



Do not immerse the unit in water or any other liquid. Do not operate the unit with wet hands. Do not operate the unit if it has been exposed to water, moisture or any other liquid, to prevent against electric shock, explosion and/or injury to yourself and damage to the unit. Do not leave the unit unattended whilst connected to another device. Do not use the unit for anything other than its intended use. Do not use any accessories other than those supplied. Do not store the unit in direct sunlight or in high

(batteries) to mechanical shock. Do not dispose of the exhausted battery in household waste. To dispose of the exhausted battery, take it to a local recycling station. Contact the local government offices for further details. This unit is fitted with a 2000 mAh rechargeable battery (non-removable). **Caution** To prevent short-circuit faults and damage, only use the supplied USB cable to charge the unit. Before each use, check all USB cables for damage.

If there are any signs of damage, discontinue use. Do not insert a USB cable into both micro USB input and USB output ports on the unit at the same time.

Do not use the supplied USB cable to charge other devices; this should only be used to charge the unit itself.

Care and Maintenance

Wipe the portable charger with a soft, damp, lint-free cloth and allow to dry thoroughly.

Do not:

Immerse the portable charger in water or any other liquid. Expose the portable charger to liquid, moisture or humidity to avoid the internal circuit

Warning: Check that the portable charger USB charging cable is not bent, wrapped tightly or warped when stored. This could damage the internal cable and cause short-circuit faults when used, which will damage the portable charger and any connected device. Inspect the USB charging cable before use; if there are any signs of damage, discontinue use immediately and seek a suitable replacement.

Troubleshooting

The portable charger cannot be charged.

The USB charging cable is not

being affected.

Use any abrasive cleaning solvents to clean the portable charger, as this can cause damage.

Expose the portable charger to sharp objects, which may cause damage.

Expose the portable charger to extremely high or low temperatures as this will shorten the life of electronic devices, destroy the battery or distort certain plastic parts. Drop the portable charger, as the internal circuit may become damaged.

Attempt to disassemble the portable charger, as this may cause damage.

connected properly; connect the USB charging cable properly.

The portable charger charging time is short.

The remaining battery power is high and hasn't exhausted; continue to use as normal.

The portable charger has reached the end of its service life or is malfunctioning.

If the power supply time does not last and is extremely short, even when the portable charger is fully charged, then the unit has reached the end of its service life. Purchase a new portable charger (service life varies depending upon frequency of use).

The portable charger cannot supply power to a device.

The USB charging cable between the portable charger and the device

Dispose of the portable charger in a fire as it will result in an explosion.

Getting Started

Remove the portable charger from the box.

Remove any packaging from the portable charger.

Place the packaging inside of the box and either store or dispose of safely.

In the Box

Power Source Portable Charger
USB Charging Cable
Instruction Manual

Features

Battery Capacity: 2000 mAh
Input: Micro USB
Output: 1 A USB
Charging Time:
Up to 3 Hours Approx.

is not connected properly; reconnect the USB charging cable.

The remaining battery power is low; recharge the portable charger.

The supply time to the device is short.

The connector or USB port on the device is dirty; clean it.

The portable charger has reached the end of its service life or is malfunctioning; purchase a new portable charger (service life varies depending upon frequency of use). The portable charger is out of power or the remaining battery capacity is low. Recharge the portable charger.

The portable charger will not charge the device.

The portable charger is designed to charge devices up to 1 A. If the output is exceeded then the portable charger will either cut-off or the charging time will be increased greatly. Always check the input port

Battery Type: Rechargeable Lithium-ion
Socket Type: USB

Micro USB Charging Cable Provided

Instructions for Use

Charging the Battery

The portable charger is fitted with a 2000 mAh Lithium-ion battery. It is recommended that the battery is fully charged before each use; this will take approximately 3 hours.

Connect the micro USB connector on the USB charging cable (included) into the micro USB input port on the portable charger and the other end to a compatible USB port.

Whilst charging, the power indicator light will illuminate red. Once the battery has fully charged, the power indicator light will switch off.

Once the portable charger is fully charged, carefully disconnect both ends of the USB charging cable and store it safely for future use (1).

of the device to be charged.

Check the USB charging cable for damage. If it shows any signs of damage, seek a suitable replacement.

Charging time is longer than usual.

The portable charger has reached the end of its service life or is malfunctioning; purchase a new portable charger (service life varies depending upon frequency of use). The temperature of the surrounding environment is having an affect on the operation of the portable charger, move the unit into a more suitable climate.

The USB charging cable cannot be properly connected.

Check the USB charging cable and ensure that only the USB charging cable supplied is used when charging the portable charger. Some dust, dirt etc., may be in the USB port; clean the USB port.

Using the Power Source to Charge Other Devices

The portable charger has the ability to recharge devices that can be charged via USB.

To recharge such devices, use the USB cable supplied with that device. Plug the USB connector into the USB output port on the portable charger and the other end into the compatible device (2).

Caution: Do not use the portable charger USB charging cable to charge other devices; this should only be used to charge the portable charger itself. Do not insert a USB cable into the USB output port and the micro USB input port at the same time for any reason.

Warning: Do not short-circuit the portable charger. To avoid short-circuiting, keep the unit away from all metal objects (e.g. coins, hair-pins, keys, etc.). The portable charger may become hot when charging. This is normal.

Specifications

Product code: EE1812

Capacity: 2000 mAh

Input: 5 V 1 A DC

Output: 5 V 1 A DC