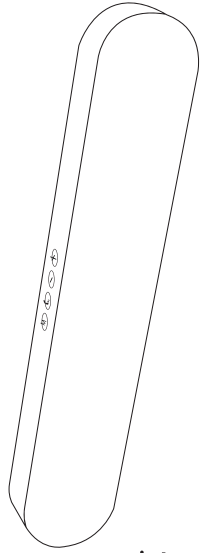


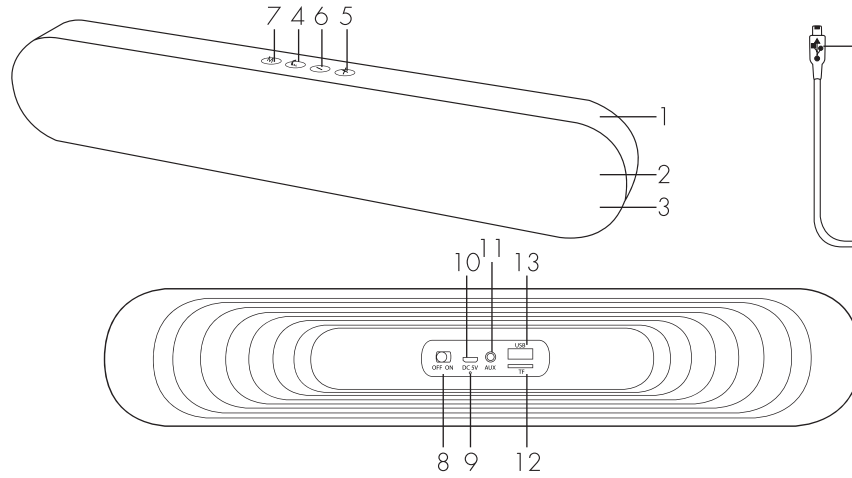
CAPSULE SPEAKER



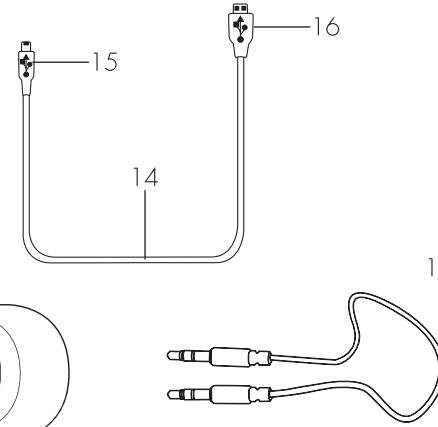
intempo[®]
Making Music Cool

INSTRUCTION MANUAL

Description of Parts



- | | |
|-------------------------------------|------------------------------|
| 1. Capsule Speaker Main Unit | 7. Mode Button (M) |
| 2. Speaker | 8. On/Off Switch |
| 3. Hands-free Microphone | 9. LED Indicator Light |
| 4. Play/Pause/Hands-free Button (⏮) | 10. 5 V 1 A DC Charging Port |
| 5. Skip/Volume + Button (+) | 11. Aux. Input Jack |
| 6. Skip/Volume - Button (-) | 12. TF Card Slot |



- | |
|-------------------------|
| 13. USB Port |
| 14. USB Charging Cable |
| 15. Micro USB Connector |
| 16. USB Connector |
| 17. Line-In Aux. Cable |

This unit contains no user serviceable parts. If the unit and any of its accessories are malfunctioning or it has been dropped or damaged, only a qualified electrician should carry out repairs. Improper repairs may place the user at risk of harm. Keep the unit and USB cable out of the reach of children. Keep the unit and USB cable away from heat or sharp edges that could cause damage. Keep the unit away from heat sources, direct sunlight, humidity, water and any other liquid. Keep the USB cable away from any parts of the unit that may become hot during use. Keep the unit free from dust, lint etc. Do not immerse the unit in water or any other liquid. Do not operate the unit with wet hands.

Do not operate the unit if it has been exposed to water, moisture or any other liquid, to prevent against electric shock, explosion and/or injury to yourself and damage to the unit. Do not leave the unit unattended whilst connected to another device. Do not use the unit for anything other than its intended use. Do not use any accessories other than those supplied. Do not use this unit outdoors. Do not store the unit in direct sunlight or in high humidity conditions. Do not put objects into any of the openings. Do not play music at excessive volume levels as damage to hearing and/or the equipment may occur. It is imperative to unplug the USB cable after the unit has been used, before it is cleaned and whilst being repaired.

This unit must be placed on a stable, heat-resistant surface. This unit is intended for domestic use only. It should not be used for commercial purposes. To prevent possible hearing damage, do not listen at high volume levels for long periods of time. **Warning:** Keep the unit away from flammable materials. **Battery Safety** The supply terminals are not to be short-circuited. Exhausted batteries should be removed from the product to avoid leakage. In the event of any batteries leaking, do not allow any liquid to come into contact with the skin or eyes. If contact has been made, wash the affected area with copious amounts of water and seek medical advice. Keep batteries out of the reach

of children. Avoid storing in direct sunlight. Do not dispose of batteries in a fire. Do not crush, puncture, dismantle or otherwise damage batteries. Do not store above 60 °C. Do not expose batteries to heat or fire as they may explode. Do not subject batteries to mechanical shock. Do not dispose of exhausted batteries in household waste. To dispose of any batteries, take them to a local recycling station. Contact the local government offices for further details. This unit is fitted with a 3.7 V 1200 mAh Li-ion battery. UP Global Sourcing UK Ltd. hereby declares that this unit is in compliance with the essential requirements and other provisions of directive 2014/53/EU.

Please read all of the instructions carefully and retain for future reference.

Safety Instructions

When using electrical units, basic safety precautions should always be followed. Children aged from 8 years and people with reduced physical, sensory or mental capabilities or lack of experience and knowledge can use this unit, only if they have been given supervision or instruction concerning use of the unit in a safe way and understand the hazards involved. Children should be supervised to ensure that they do not play with the unit. Unless they are older than 8 and supervised, children should not perform cleaning or user maintenance. This unit is not a toy.

CD010317/M000000/VI
Made in China.

UP Global Sourcing UK Ltd.,
Victoria Street,
Manchester O19 0DD. UK.



intempo[®]



The declaration of conformity may be consulted at UP Global Sourcing UK Ltd., Victoria Street, Manchester OL9 0DD.

Care and Maintenance

Wipe the Capsule Speaker with a soft, damp, lint-free cloth and allow to dry thoroughly.

Do not:

Immerse the Capsule Speaker in water or any other liquid.

Use any abrasive cleaning solvents to clean the Capsule Speaker, as this can cause damage.

Expose the Capsule Speaker to liquid, moisture or humidity to avoid the unit's internal circuit being affected.

Expose the Capsule Speaker to sharp objects, which may cause damage.

Expose the Capsule Speaker to extremely high or low temperatures as this will shorten the life of

electronic devices, destroy the battery or distort certain plastic parts. Drop the Capsule Speaker, as the internal circuit may become damaged. Attempt to disassemble the Capsule Speaker, as this may cause damage to the unit.

Dispose of the Capsule Speaker in a fire as it will result in an explosion.

Getting Started

Remove the unit from the box.

Remove any packaging from the unit.

Place the packaging inside the box and either store or dispose of safely.

In the Box

Capsule Speaker

USB Charging Cable

Line-in Aux. Cable

Instruction Manual

Features

Bluetooth Version: 2.1 + EDR

Wireless Range: 10 m

Speaker Output: 2 x 3 W

Built-in Rechargeable Battery

Built-in Hands-free Microphone

USB Charging Cable (Included)

Line-in Aux. Cable (Included)

Supports TF Cards

Instructions for Use

Charging the Battery

The Capsule Speaker is fitted with a 3.7 V 1200 mAh Li-ion battery. It is recommended that the battery is fully charged before first use; this will take approx. 4 hours.

Connect the micro USB end of the USB charging cable into the 5 V 1 A DC charging port on the Capsule Speaker and the other end to a compatible USB port. Whilst charging, the LED indicator light will illuminate red. Once the battery has fully charged, the LED indicator light will switch off.

Once the Capsule Speaker is fully

charged, carefully disconnect both ends of the USB charging cable and store it safely for future use.

Using the Capsule Speaker Basic Functionality

Turn on the Capsule Speaker by sliding the 'On/Off' switch to the 'On' position. Pause a track by pressing '⏸'; push it again to resume the track.

Adjust the volume of the Capsule Speaker using '+' and '-'. Press and hold '+' to increase the volume; decrease the volume by pressing and holding '-'. To switch to the next track, press '+'; play the previous track by pressing '-'. Cycle between functions by pressing 'M' until the desired operation is selected. Slide the 'On/Off' switch to the 'Off' position to turn off the Capsule Speaker.

Modes

The Capsule Speaker must be turned on before using any of the following modes.

STEP 1: Using the Bluetooth compatible device, dial the number to be called and select the Bluetooth/hands-free option. The Capsule Speaker and its built-in microphone will now act as a hands-free device.

STEP 2: To connect or disconnect a call using the Capsule Speaker, press '📞'.

STEP 3: The volume of the phone call can be controlled using either the Capsule Speaker or the Bluetooth compatible device.

STEP 4: To reject an incoming phone call, press and hold '📞' for approx. 2–3 seconds.

Aux. Mode

To use Aux. mode, connect one end of the line-in Aux. cable to the Aux. input jack on the back of the Capsule Speaker and the other end to an MP3 player or other compatible audio source.

Note: Once connected, sound can be controlled using the relevant controls on the compatible audio source. If the Capsule Speaker does not automatically change to Aux. mode, press 'M' until it is selected. The Capsule Speaker cannot be used to skip tracks during Aux. mode.

TF Card/USB Mode

STEP 1: To use TF mode, insert a TF card (not included) into the TF card slot. The Capsule Speaker will automatically change to TF mode.

STEP 2: To use USB mode, insert a compatible USB drive into the USB port. The Capsule Speaker will automatically change to USB mode.

STEP 3: If the Capsule Speaker does not automatically change to TF or USB mode, press 'M' until the desired operation is selected.

Note: Once connected, sound can be controlled using the Capsule Speaker. No USB drive should be inserted whilst using TF mode or vice versa, as this could interfere with playback. The Capsule Speaker will only recognise MP3 audio files; if other files are present on the TF card, this may prevent the Capsule Speaker from playing.

Troubleshooting

The Capsule Speaker has no power.

The Capsule Speaker has run out of charge. Charge the Capsule Speaker

following the instructions in the section entitled 'Charging the Battery'.

The Capsule Speaker has no sound.

The volume level is set too low. Check that the volume level is set at an audible level and adjust accordingly with the connected device.

The Capsule Speaker is not paired with a Bluetooth compatible device. Follow the instructions in the section entitled 'Pairing with a Bluetooth Compatible Device'.

The Capsule Speaker is not connected to a compatible audio source. Follow the instructions in the section entitled 'Connecting with a Compatible Audio Source'.

Unable to pair a device with the Capsule Speaker.

The Bluetooth device is not compatible with the Capsule Speaker. Ensure that the Bluetooth device is compatible

Bluetooth Mode

STEP 1: Once the Capsule Speaker has been turned on, the LED indicator light will flash to signal that the Capsule Speaker is ready to be paired with a Bluetooth compatible device.

STEP 2: Search for the Capsule Speaker using a Bluetooth compatible device. Select 'EE1801' to connect and pair. Once a connection has been made, the LED indicator light will remain solid.

Note: Once connected, sound can be controlled using either the Capsule Speaker or the relevant controls on the Bluetooth compatible device.

Making Phone Calls via a Bluetooth Compatible Device

Once the Bluetooth compatible device has been paired with the Capsule Speaker, phone calls can be made.

with the Capsule Speaker and that the Bluetooth function is switched on.

The charge of the Capsule Speaker depletes quickly.

The volume level is set too high. Excessive use of the Multifunctional at high volumes will drain the battery quickly. Charge the Capsule Speaker following the instructions in the section entitled 'Charging the Battery' and listen at a lower volume for better results.

Specifications

Product Code: EE1801BLKRDFOB

Bluetooth Version: 2.1 + EDR

Wireless Range: 10 m

Speaker Output: 2 x 3 W

Power Supply: 5 V 1 A DC

Working Voltage: 3.7 V

Rechargeable Battery: 1200 mAh