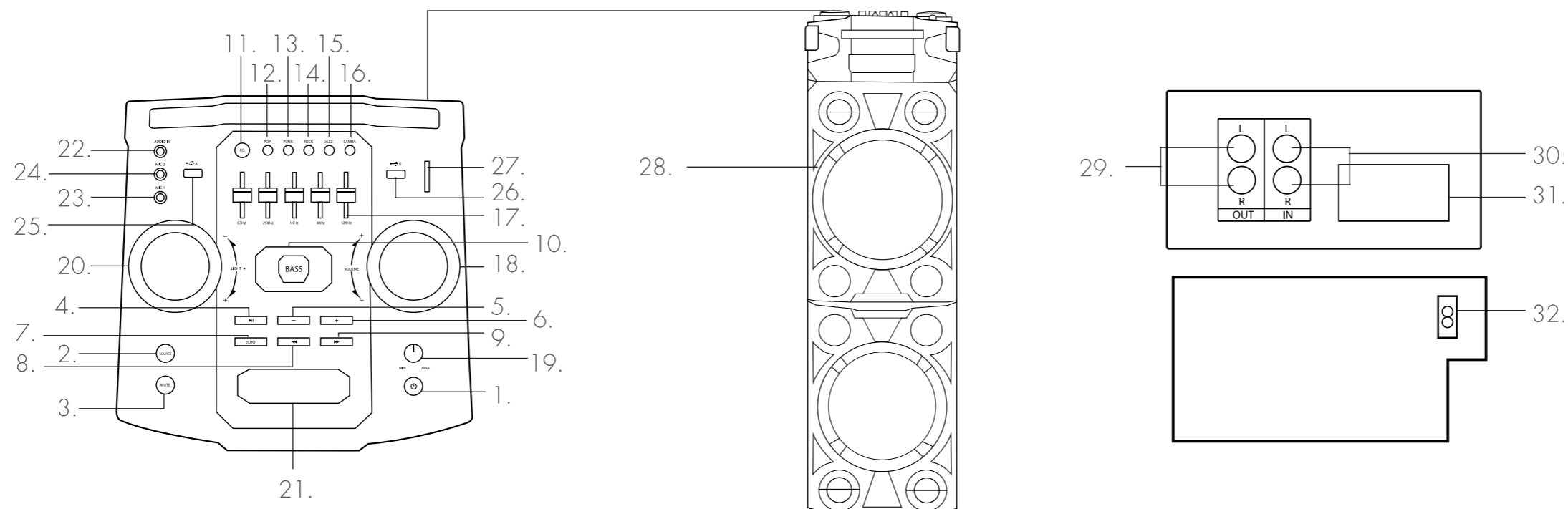


Description of Parts



For the Control Panel

1. Power Button (⏻)
2. Source Button (SOURCE)
3. Mute Button (MUTE)
4. Play/Pause Button (▶||)
5. Folder - Button (←)
6. Folder + Button (→)
7. Echo Button (ECHO)

8. Skip - Button (◀◀)
9. Skip + Button (▶▶)
10. Bass Button (BASS)
11. Equaliser Button (EQ)
12. Pop Mode Button
13. Funk Mode Button
14. Rock Mode Button

15. Jazz Mode Button
16. Samba Mode Button
17. 5 Band Equaliser Sliders
18. Master Volume Control Dial
19. Mic. Volume Control Dial
20. Light Control Dial
21. LCD Display Screen

22. Aux. Input Port
23. Mic. Input Port 1
24. Mic. Input Port 2
25. USB Input Port A
26. USB Input Port B
27. SD card Slot

For the Main Unit

28. LED Lights
29. RCA Line Output
30. RCA Line Input
31. FM Radio Antenna
32. AC Power Socket

Please read all of the instructions carefully and retain for future reference.

Safety Instructions

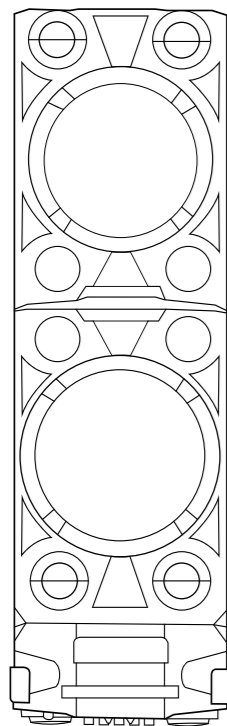
When using electrical units, basic safety precautions should always be followed.

Check that the voltage indicated on the rating plate corresponds with that of the local network before connecting the unit to the mains power supply.

Children aged from 8 years and people with reduced physical, sensory or mental capabilities or lack of experience and knowledge can use this unit, only if they have been given supervision or instruction concerning use of the unit in a safe way and understand the hazards involved.

Children should be supervised to ensure that they do not play with the unit.

Unless they are older than 8 and supervised, children



400 W PARTY SYSTEM

should not perform cleaning or user maintenance.

This unit is not a toy.

This unit contains no user serviceable parts. If the unit and any of its accessories are malfunctioning or it has been dropped or damaged, only a qualified electrician should carry out repairs. Improper repairs may place the user at risk of harm. Keep the unit and adaptor out of the reach of children.

Keep the unit and adaptor away from heat or sharp edges that could cause damage.

Keep the unit away from heat sources, direct sunlight, humidity, water and any other liquid.

Keep the adaptor away from any parts of the unit that may become hot during use.

Keep the unit free from dust, lint etc.

Do not immerse the unit in water or any other liquid.

Do not operate the unit with wet hands.

Do not operate the unit if it has been exposed to water, moisture or any other liquid, to prevent against electric shock, explosion and/or injury to yourself and damage to the unit.

Do not leave the unit unattended whilst connected to another device. Do not leave the unit unattended whilst connected to the mains power supply.

Do not remove the appliance from the mains power supply by pulling the cord; switch it off and remove the plug by hand.

Do not use the unit for anything other than its intended use.

Do not use any accessories other than those supplied.

Do not use this unit outdoors.

Do not store the unit in direct sunlight or in high humidity conditions.

Do not move the unit whilst it is in use.

Do not put objects into any of the openings.

Do not play music at excessive

volume levels as damage to hearing and/or the equipment may occur.

This unit must be placed on a stable, heat-resistant surface.

This unit is intended for domestic use only. It should not be used for commercial purposes.

To prevent possible hearing damage, do not listen at high volume levels for long periods of time.

Warning: Keep the unit away from flammable materials.

UP Global Sourcing UK Ltd. hereby declares that this unit is in compliance with the essential requirements and other provisions of directive 2014/53/EU.

The declaration of conformity may be consulted at UP Global Sourcing UK Ltd., Victoria Street, Manchester, OL9 0DD.

Care and Maintenance

Before attempting any cleaning or maintenance, ensure that the 400 W Party System is turned off at the mains power supply and has been unplugged.

Wipe the 400 W Party System with a soft, damp, lint-free cloth and allow to dry thoroughly.

Do not:

Immerse the 400 W Party System in water or any other liquid.

Expose the 400 W Party System to liquid, moisture or humidity to avoid the unit's internal circuit being affected.

Use any abrasive cleaning solvents to clean the 400 W Party System, as this can cause damage.

Expose the 400 W Party System to sharp objects, which may cause damage.

Expose the 400 W Party System to extremely high or low temperatures as this will shorten



the life of electronic devices, destroy the battery or distort certain plastic parts. Drop the 400 W Party System, as the internal circuit may become damaged. Attempt to disassemble the 400 W Party System, as this may cause damage to the unit. Dispose of the 400 W Party System in a fire, as it will result in an explosion.

Getting Started

Remove the unit from the box. Remove any packaging from the unit. Place the packaging inside the box and either store or dispose of safely.

In the Box

400 W Party System
AC Power Adaptor
Instruction Manual

Features

Bluetooth Version: 2.1 + EDR
Wireless Range: 10 m

400 W Party System by balancing both the bass and treble settings.

4 kHz Bass Setting

Altering the 4 kHz slider adds life to sound and is especially important for the top end of drums.

12 kHz Bass Setting

Altering the 12 kHz slider adds air and sparkle to sound, which when applied too far can sound artificial.

Modes

The 400 W Party System must be turned on before using any of the following modes.

Bluetooth Mode

STEP 1: Press 'SOURCE' until Bluetooth mode is selected. Once activated, 'Bluetooth' will be visible on the LCD display.

STEP 2: Search for the 400 W Party System using a Bluetooth compatible device. Select 'EE1734' and pair.

Speaker Output: 4 x 100 W
5 Band Equaliser Adjustment
Bass Boost
Wheels and Grip Band
Aux. Input
2 USB Inputs
2 Karaoke Inputs
Power Adaptor (Included)
Supports SD Cards
Colour Changing LED Lights

Instructions for Use

Using the 400 W Party System

Basic Functionality

STEP 1: Turn on the 400 W Party System by plugging the AC power adaptor into the AC power socket on the back of the 400 W Party System and then press '⏻'.

STEP 2: Pause a track by quick pressing '⏸'; push it again to resume the track.

STEP 3: Adjust the volume of the 400 W Party System using the master volume control dial.

Note: Once connected, 'Connected' will be visible on the LCD display. Sound can be controlled using either the 400 W Party System or the relevant controls on the Bluetooth compatible device.

Aux. Mode

STEP 1: To use Aux. mode, connect one end of the line-in Aux. cable to the Aux. input port on the control panel and the other end to an MP3 player or other compatible audio source.

STEP 2: Press 'SOURCE' until Aux. mode is selected.

Note: Once connected, the sound can be controlled using the relevant controls on the compatible audio source.

SD Card/USB Mode

STEP 1: To use SD mode, insert an SD card (not included) into the SD card slot on the control panel. Press

Rotate it in a clockwise direction to increase the volume; decrease the volume by rotating it in an anticlockwise direction.

STEP 4: To switch to the next track, press '▶▶'; play the previous track by pressing '◀◀'.

STEP 5: Cycle between functions by pressing 'SOURCE' until the desired operation is selected (Bluetooth, Aux., SD, USB and FM Radio).

STEP 6: Cycle between the LED light modes by pressing the light control dial down.

STEP 7: Adjust the brightness of the LCD display using the light control dial. Rotate it in a clockwise direction to increase the brightness; decrease the brightness by rotating it in an anticlockwise direction.

STEP 8: Enhance the bass of the 400 W Party System by pressing 'BASS'. Bass function will turn off after 30 seconds.

After a further 30 seconds, press Bass again to reactivate the Bass

'SOURCE' until SD mode is selected.

STEP 2: To use USB mode, insert a compatible USB drive into one of the USB input ports on the control panel. Press 'SOURCE' until USB mode is selected.

STEP 3: Cycle between tracks/folders by pressing '+' and '-' when in USB or SD card mode. Press '+' to switch to the next track/holder; Press '-' to skip to the previous track/folder.

Note: Once connected, sound can be controlled using the 400 W Party System. Ensure that there is no USB cable or drive inserted whilst using SD mode or vice versa, as this could interfere with playback. The 400 W Party System will only recognise MP3 audio files; if other files are present on the SD card, this may prevent the 400 W Party System from playing.

function.

STEP 9: Press '⏻' to turn off the 400 W Party System.

Using a Microphone (Not Included)

STEP 1: Insert a microphone connector into one of mic. input ports on the control panel.

STEP 2: Adjust the volume of the microphone using the mic. volume dial. Rotate it in a clockwise direction to increase the volume; decrease the volume by rotating it in an anticlockwise direction.

STEP 3: Press 'ECHO' to activate the echo effect; push it again to turn off the echo effect.

Warning: When using the microphone, give the 400 W Party System a 1 metre exclusion radius, as being too close will cause loud feedback and could damage the 400 W Party System.

FM Radio Mode

STEP 1: To use FM Radio mode, press 'SOURCE'. Once activated, 'Radio' will be visible on the LCD display.

STEP 2: Scan for available radio stations by pressing '▶▶'; push it again to stop.

STEP 3: Tune the frequency of the radio station using '+' and '-'.

STEP 4: To switch to the next saved radio station, press '▶▶'; play the previous radio station by pressing '◀◀'.

Bi-Wiring Output

Connect the 400 W Party System to another compatible speaker using RCA line output on the back of the unit.

Troubleshooting

The 400 W Party System has no power.

The 400 W Party System is not connected properly via the AC

Using the Five Band Equaliser

STEP 1: The output of the 400 W Party System can be optimised to meet the user's taste, music and surroundings by modifying its high and low end output (treble and bass). To do so, adjust the five band equaliser sliders.

STEP 2: Adjust the treble settings to change the clarity of sound emitted by the 400 W Party System, leaving it clearer and more detailed without any shrillness. Adjust the treble sliders below 0 to decrease the treble; increase the treble by changing the sliders above 0.

STEP 3: Adjust the bass settings to change the fullness of sound emitted by the 400 W Party System, leaving it richer and fuller without any heaviness. Adjust the bass sliders below 0 to decrease the bass; increase the bass by changing the sliders above 0.

power adaptor. Ensure the 400 W Party System is connected to a power source and that the power adaptor is securely inserted into the power socket on the back of the speaker.

The 400 W Party System has no sound.

The volume level is set too low. Check that the volume level is set at an audible level and adjust accordingly with the connected device. The 400 W Party System is not paired with a Bluetooth compatible device. Follow the instructions in the section entitled 'Pairing with a Bluetooth Compatible Device'. The 400 W Party System is not connected to a compatible audio source. Follow the instructions in the section entitled 'Aux. Mode'.

Unable to pair a device with the 400 W Party System.

The Bluetooth device is not

Note: To prevent damage to the 400 W Party System, it is advised not to exert too much pressure through the use of the Equalizer; try adjusting the sliders to decrease the pressure.

Different equalizer modes can be used in addition to using the 5 band equaliser sliders (Pop, Funk, Rock, Jazz and Samba). To use these modes, set each slider to 0 and then select the desired equaliser mode by pressing the relevant button.

63 Hz Treble Setting

Altering the 63 Hz slider adds richness to the sound.

250 Hz Treble Setting

Altering the 250 Hz slider adds weight and warmth to instruments and vocals.

1 kHz Mid Setting

Adjusting the 1 kHz mid setting will round off the sound emitted by the

compatible with the 400 W Party System. Ensure that the Bluetooth device is compatible with the 400 W Party System and that the Bluetooth function is switched on.

Specifications

Product Code: EE1734
Bluetooth Version: 2.1 + EDR
Speaker Output: 4 x 100 W
Power Supply:
100–240 V 50/60 Hz
Frequency Response:
45 Hz–18 kHz