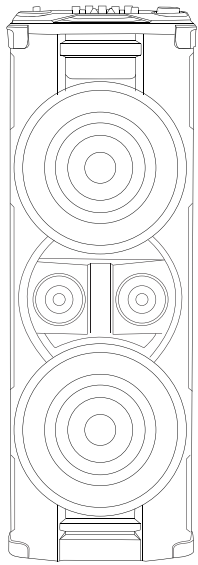


400 W BOOM SYSTEM



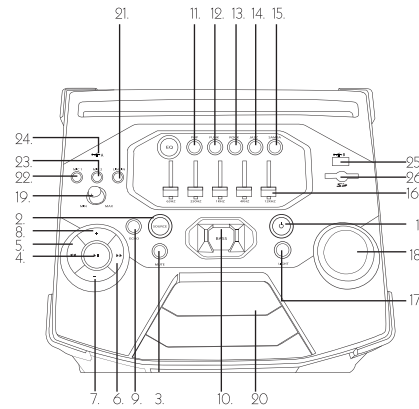
intempo
Making Music Cool

INSTRUCTION MANUAL

Description of Parts

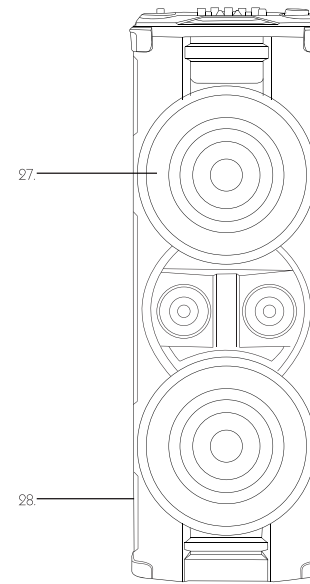
For the Control Panel

1. Power Button (⏻)
2. Source Button (SOURCE)
3. Mute Button (MUTE)
4. Play/Pause Button (▶||)
5. Skip - Button (◀◀)
6. Skip + Button (▶▶)
7. Folder - Button (-)
8. Folder + Button (+)
9. Echo Button (ECHO)
10. Bass Button (BASS)
11. Pop Mode Button
12. Funk Mode Button
13. Rock Mode Button
14. Jazz Mode Button
15. Samba Mode Button
16. 5 Band Equaliser Sliders
17. Light Control Dial
18. Volume Control Dial
19. Mic. Volume Control Dial
20. LCD Display Screen



21. Aux. Input Port
22. Mic. Input Port 1
23. Mic. Input Port 2
24. USB Input Port A
25. USB Input Port B
26. SD Card Slot

For the Main Unit



27. LED Lights
28. AC Power Socket (on the back)

Please read all of the instructions carefully and retain for future reference.

Safety Instructions

When using electrical units, basic safety precautions should always be followed.

Check that the voltage indicated on the rating plate corresponds with that of the local network before connecting the unit to the mains power supply.

Children aged from 8 years and people with reduced physical, sensory or mental capabilities or lack of experience and knowledge can use this unit, only if they have been given supervision or instruction concerning use of the unit in a safe way and understand the hazards involved.

Children should be supervised to ensure that they do not play with the unit.

Unless they are older than 8 and supervised, children should not perform cleaning or user maintenance. This unit is not a toy. This unit contains no user serviceable parts. If the unit and any of its accessories are malfunctioning or it has been dropped or damaged, only a qualified electrician should carry out repairs. Improper repairs may place the user at risk of harm. Keep the unit and adaptor out of the reach of children. Keep the unit and adaptor away from heat or sharp edges that could cause damage. Keep the unit away from heat sources, direct sunlight, humidity, water and any other liquid. Keep the adaptor away from any parts of the unit that may become

hot during use. Keep the unit free from dust, lint etc. Do not immerse the unit in water or any other liquid. Do not operate the unit with wet hands. Do not operate the unit if it has been exposed to water, moisture or any other liquid, to prevent against electric shock, explosion and/or injury to yourself and damage to the unit. Do not leave the unit unattended whilst connected to another device. Do not leave the unit unattended whilst connected to the mains power supply. Do not remove the appliance from the mains power supply by pulling the cord; switch it off and remove the plug by hand. Do not use the unit for anything other than its intended use.

Do not use any accessories other than those supplied. Do not use this unit outdoors. Do not store the unit in direct sunlight or in high humidity conditions. Do not move the unit whilst it is in use. Do not put objects into any of the openings. Do not play music at excessive volume levels as damage to hearing and/or the equipment may occur. It is imperative to unplug the USB cable after the unit has been used, before it is cleaned and whilst being repaired. This unit must be placed on a stable, heat-resistant surface. This unit is intended for domestic use only. It should not be used for commercial purposes.

To prevent possible hearing damage, do not listen at high volume levels for long periods of time.

Warning: Keep the unit away from flammable materials.

UP Global Sourcing UK Ltd. Hereby declares that this unit is in compliance with the essential requirements and other provisions of directive 2014/53/EU.

The declaration of conformity may be consulted at UP Global Sourcing UK Ltd., Victoria Street, Manchester OL9 0DD.

Care and Maintenance

Before attempting any cleaning or maintenance, switch off and unplug the boom system from the mains power supply. Wipe the boom system with a soft, damp, lint-free cloth and

Manufactured by
UP Global Sourcing UK Ltd.,
Victoria Street,
Manchester OL9 0DD, UK.
Made in China.
CP141216/M0000000/VI



intempo



allow to dry thoroughly.

Do not:

Immerse the boom system in water or any other liquid.
Expose the boom system to liquid, moisture or humidity to avoid the unit's internal circuit being affected.
Use any abrasive cleaning solvents to clean the boom system, as this can cause damage.
Expose the boom system to sharp objects, which may cause damage.
Expose the boom system to extremely high or low temperatures as this will shorten the life of electronic devices, destroy the battery or distort certain plastic parts.
Drop the boom system, as the internal circuit may become damaged.
Attempt to disassemble the boom system, as this may cause

damage to the unit.

Dispose of the boom system in a fire, as it will result in an explosion.

Getting Started

Remove the unit from the box.
Remove any packaging from the unit.
Place the packaging inside the box and either store or dispose of safely.

In the Box

400 W Boom System
AC Power Adaptor
Instruction Manual

Features

Bluetooth Version: 2.1 + EDR
Wireless Range: 8 m
Speaker Output: 4 x 100 W
2 x Microphone Input
Line-in Aux. Function
LCD Display
Supports SD Cards
Colour Changing LED Lights
Power Adaptor (Included)

sound and is especially important for the top end of drums.

12 kHz Bass Setting

Altering the 12 kHz slider adds air and sparkle to sound, which when applied too far can sound artificial.

Modes

The boom system must be turned on before using any of the following modes.

Bluetooth Mode

STEP 1: Press 'SOURCE' until Bluetooth mode is selected. Once activated, 'Bluetooth' will be visible on the LCD display.

STEP 2: Search for the boom system using a Bluetooth compatible device. Select 'EE1732' and pair.

Note: Once connected, 'Connected' will be visible on the LCD display.
Sound can be controlled using either the boom system or the relevant controls on the Bluetooth compatible device.

Instructions for Use

Using the 400 W Boom System

Basic Functionality

STEP 1: Turn on the boom system by plugging the AC power adaptor into the AC power socket on the back of the boom system and then press 'P'.

STEP 2: Pause a track by quick pressing 'M'; push it again to resume the track.

STEP 3: Adjust the volume of the boom system using the volume control dial. Turn it in a clockwise direction to increase the volume; decrease the volume by turning it in an anticlockwise direction.

STEP 4: To switch to the next track, press 'N'; play the previous track by pressing 'P'.

STEP 5: Cycle between functions by pressing 'SOURCE' until the desired operation is selected (Bluetooth, Aux., SD and USB).

STEP 6: Cycle between the LED light modes by pressing the light control dial down.

STEP 7: Adjust the brightness of the LED display using the light control dial. Rotate

it in a clockwise direction to increase the brightness; decrease the brightness by rotating it in an anticlockwise direction.

STEP 8: Enhance the bass of the boom system by pressing 'BASS'.

STEP 9: Press 'P' to turn off the 400 W Party System.

Using a Microphone (Not Included)

STEP 1: Insert a microphone connector into one of mic. input ports on the control panel.

STEP 2: Adjust the volume of the microphone using the mic. volume dial. Rotate it in a clockwise direction to increase the volume; decrease the volume by rotating it in an anticlockwise direction.

STEP 3: Press 'ECHO' to activate the echo effect; push it again to turn off the echo effect.

Warning: When using the microphone, give the boom system a 1 metre exclusion radius, as being too close will cause loud feedback and could damage the boom system.

Aux. Mode

STEP 1: To use Aux. mode, connect one end of the line-in Aux. cable to the Aux. input port on the control panel and the other end to an MP3 player or other compatible audio source.

STEP 2: Press 'SOURCE' until Aux. mode is selected.

Note: Once connected, the sound can be controlled using the relevant controls on the compatible audio source.

SD Card/USB Mode

STEP 1: To use SD mode, insert an SD card (not included) into the SD card slot on the control panel. Press 'SOURCE' until SD mode is selected.

STEP 2: To use USB mode, insert a compatible USB drive into one of the USB input ports on the control panel. Press 'SOURCE' until USB mode is selected.

STEP 3: Cycle between tracks/folders by pressing '+' and '-' when in USB or SD card mode. Press '+' to switch to the

next track/holder; Press '-' to skip to the previous track/folder.

Note: Once connected, sound can be controlled using the boom system.
Ensure that there is no USB cable or drive inserted whilst using SD mode or vice versa, as this could interfere with playback.
The boom system will only recognise MP3 audio files; if other files are present on the SD card, this may prevent the boom system from playing.

Troubleshooting

The boom system has no power.

The boom system is not connected properly via the AC power adaptor. Check that the boom system is connected to a power source and that the power adaptor is securely inserted into the power socket on the back of the system.

The boom system has no sound.

The volume level is set too low. Check

Using the Five Band Equaliser

STEP 1: The output of the boom system can be optimised to meet the user's taste, music and surroundings by modifying its high and low end output (treble and bass). To do so, adjust the five band equaliser sliders.

STEP 2: Adjust the treble settings to change the clarity of sound emitted by the boom system, leaving it clearer and more detailed without any shrillness. Adjust the treble sliders below 0 to decrease the treble; increase the treble by positioning the sliders above 0.

STEP 3: Adjust the bass settings to change the fullness of sound emitted by the boom system, leaving it richer and fuller without any heaviness. Adjust the bass sliders below 0 to decrease the bass; increase the bass by positioning the sliders above 0.

Note: To prevent damage to the boom system, it is advised not to exert too much pressure through the use of the Equalizer; try adjusting the sliders to reduce the pressure.

Different equalizer modes can be used in addition to using the 5 band equaliser sliders (Pop, Funk, Rock, Jazz and Samba). To use these modes, set each slider to 0 and then select the desired equaliser mode by pressing the relevant button. See the table outlining what effect adjusting each equalizer slider will have.

63 Hz Treble Setting

Altering the 63 Hz slider adds richness to the sound.

250 Hz Treble Setting

Altering the 250 Hz slider adds weight and warmth to instruments and vocals.

1 kHz Mid Setting

Adjusting the 1 kHz mid setting will round off the sound emitted by the boom system by balancing both the bass and treble settings.

4 kHz Bass Setting

Altering the 4 kHz slider adds life to

that the volume level is set at an audible level and adjust accordingly with the connected device. The boom system is not paired with a Bluetooth compatible device. Follow the instructions in the section entitled 'Pairing with a Bluetooth Compatible Device'. The boom system is not connected to a compatible audio source. Follow the instructions in the section entitled 'Aux. mode'.

Unable to pair a device with the boom system.

The Bluetooth device is not compatible with the boom system. Check that the Bluetooth device is compatible with the boom system and that the Bluetooth function is switched on.

Specifications

Product Code: EE1732
Bluetooth Version: 2.1 + EDR
Wireless Range: 8 m
Speaker Output: 4 x 100 W
Power Supply: 100-220 V 50/60Hz
Frequency Response: 45 Hz-18 kHz