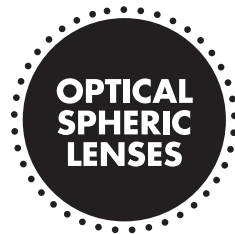
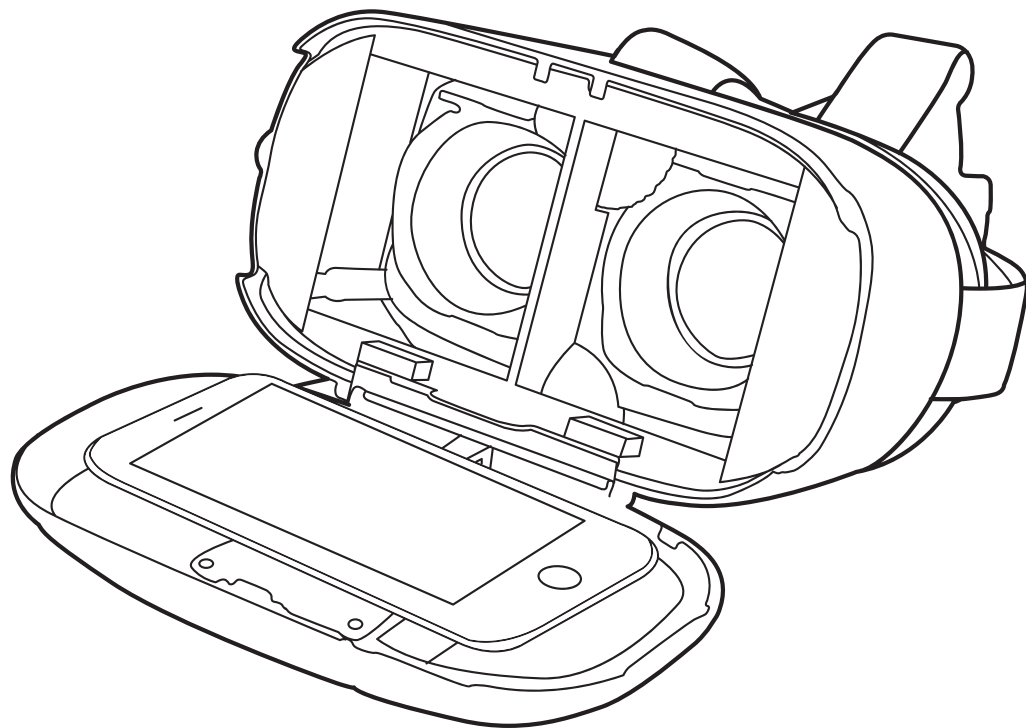


ENGAGE 3D VIRTUAL REALITY HEADSET



intempo⁺
Making Music Cool



Please read all of the instructions carefully and retain for future reference.

Safety Instructions

When using this unit, basic safety precautions should always be followed.

Children aged from 8 years and people with reduced physical, sensory or mental capabilities or lack of experience and knowledge can use this unit, only if they have been given supervision or instruction concerning use of the unit in a safe way and understand the hazards involved.

Children should be supervised to ensure that they do not play with the unit.

Unless they are older than 8 and supervised, children should not perform cleaning or user maintenance.

This unit is not a toy.

This unit contains no user serviceable parts. If the unit and any of its accessories are malfunctioning or it has been dropped or damaged, only a qualified person should carry out repairs. Improper repairs may place the user at risk of harm.

Keep the unit out of reach of children.

Keep the unit away from heat or sharp edges that could cause damage.

Keep the unit away from heat sources, direct sunlight, humidity, water and any other liquid.

Keep the unit free from dust, lint etc.

Do not immerse the unit in water or any other liquid.

Do not operate the unit with wet hands.

Do not operate the unit if it has been exposed to water, moisture or any other liquid, to prevent against electric shock, explosion and/or injury to yourself and damage to the unit.

Do not use the unit for anything other than its intended use.

Do not use any accessories other than those supplied.

Do not store the unit in direct sunlight or in high humidity conditions.

Do not put objects into any of the openings.

This unit is intended for domestic use only. It should not be used for commercial purposes.

Warning: Keep the unit away from flammable materials.

General Precautions

1. The unit should be adjusted for each individual user. Failure to do so may increase the risk of discomfort.
2. Some people may suffer from severe dizziness, seizures, epileptic seizures or blackouts triggered by light flashes or patterns, which may occur whilst watching TV, playing video games or experiencing virtual reality, even if they have never had a seizure or blackout before or have no history of seizures or epilepsy. Anyone who has suffered from a seizure, loss of awareness or any other symptoms linked to an epileptic condition should consult a doctor before using the unit.
3. It is recommended to consult a doctor before using the unit if pregnant, elderly or suffering from a heart condition or other serious medical condition.
4. This unit provides an immersive virtual reality performance that can be distracting from and block the view of actual surroundings. Always be aware of the surroundings when using the unit. Remain seated whenever possible and stay away from other people, objects, stairs, balconies, windows, furniture or other hazards that could be tripped over, bumped into or knocked down, during and immediately after use. Do not handle sharp or otherwise dangerous objects whilst using the unit. Never use the unit in situations that require attention, such as walking, driving or cycling.
5. Only use for a few minutes at a time at first. Gradually increase the amount of time using the unit, until accustomed to virtual reality.
6. Do not use the unit whilst tired or under the influence of alcohol or drugs, as this can increase susceptibility to adverse symptoms.
7. Take a 10–15 minute break every hour. Take more frequent or longer breaks if discomfort is felt.
8. **DISCONTINUE USE OF THE UNIT IMMEDIATELY** if any of the following symptoms are experienced: seizures, loss of awareness, eye or muscle twitching, involuntary movement, altered, blurred or double vision, a feeling of detachment from your body or reality, dizziness, disorientation, disrupted balance, nausea, lightheadedness, discomfort or pain in the head or eyes, drowsiness, fatigue or any other symptoms similar to motion sickness. Do not use the unit until all of the symptoms have completely subsided after several hours. Ensure that the unit is properly configured before resuming use. Do not drive, operate machinery or engage in any other high-consequence activity (i.e. those that could lead to death, personal injury or damage to property) until fully recovered from any symptoms that may have been experienced.
9. Do not expose the lenses to sun rays.

Getting Started

Remove the unit from the box.
Remove any packaging from the unit.
Place the packaging inside the box and either store or dispose of safely.

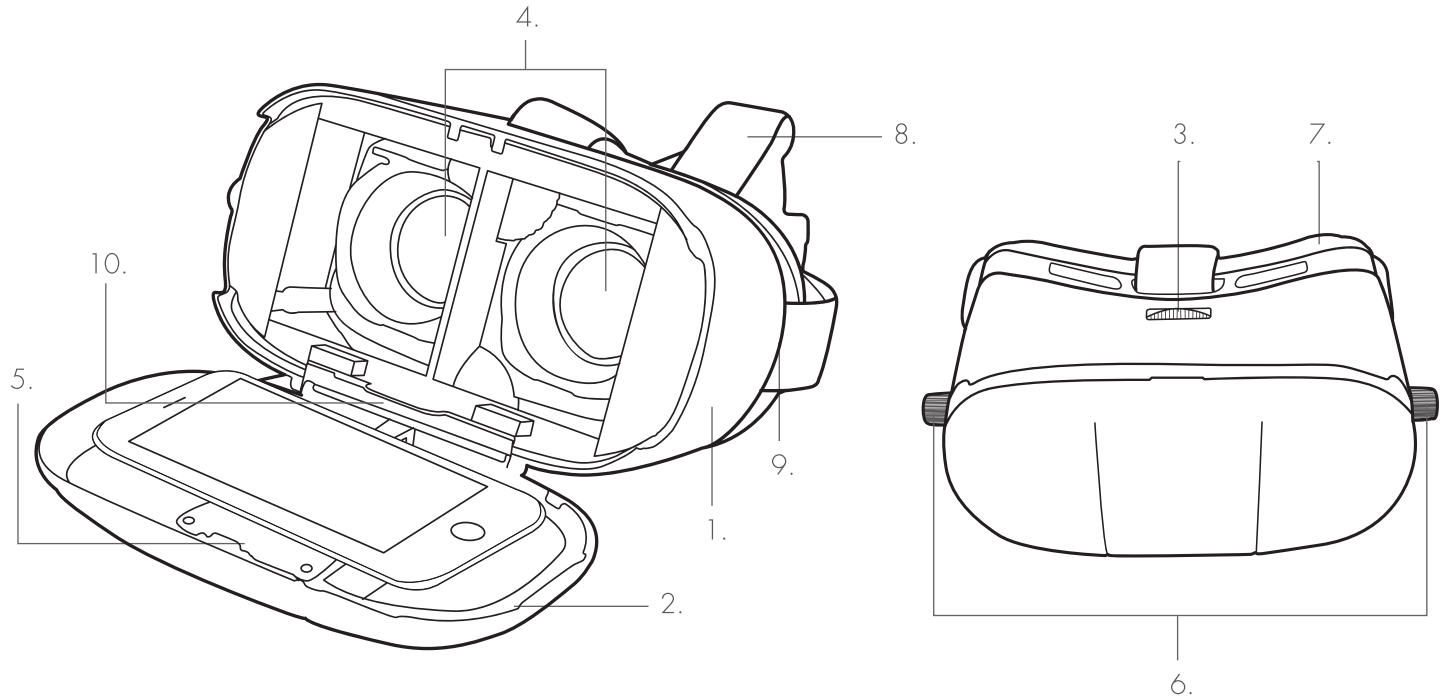
In the Box

Engage 3D Virtual Reality Headset
Lens Cloth
3-way Adjustable Head Strap
Instruction Manual

Features

3-way Adjustable Head Strap
Sturdy Smartphone Cradle
High Precision, Spherical Resin Lenses
Lens Separation Range: 65 mm
Focal Adjustment Range: 1–2 %/1.5–2 times
Field of View (FOV): 92–98 °

Description of Parts



- 1. 3D Headset Main Unit
- 2. Front Cover
- 3. Lens Adjustment Control
- 4. Lenses
- 5. Mobile Device Rest

- 6. Distance Adjustment Controls
- 7. Foam Cushioning
- 8. 3-way Adjustable Head Strap
- 9. Securing Slot(s)
- 10. Front Cover Locking Arm

Instructions for Use

Adjusting the 3-way Adjustable Head Strap

STEP 1: Undo the fasteners on all three straps.

STEP 2: Adjust each strap to the desired length, ensuring that it will sit comfortable on the users head.

STEP 3: Secure the fasteners by pressing firmly on the hook and loop, to avoid movement of the straps.

Installing a Mobile Device

Prepare the desired visual material prior to installing a mobile device. Once prepared, follow the below instructions.

STEP 1: Open the front cover of the 3D headset main unit by pulling it downward and away from the headset and then rest it on the locking arm.

STEP 2: Carefully place the mobile device over the lenses, ensuring that the screen is facing them and that the mobile device is flat against the viewing area.

STEP 3: Ensure that the mobile device is centred in the mobile device rest and that any buttons located on its side are not being pressed.

STEP 4: Close the front cover by carefully pushing it in towards the headset, until it locks into position.

STEP 5: If using wired headphones or earphones, thread the cable through the open areas on the side of the 3D headset main unit.

Note: If preparing to watch a video or play a game, ensure that it is playing and any controllers are connected before installing the mobile device into the 3D headset.

Caution: Never force the front cover to open any further than the locking arm.

Do not hold the 3D headset forwards during use or whilst installing a mobile device, as the mobile device may fall out.

Adjusting the Lenses

Once a mobile device has been installed with the video or game set up, the lenses can be adjusted.

STEP 1: To set the distance between the lenses, slide the lens adjustment control to the left or right, until they are in the required position.

STEP 2: Turn the distance adjustment controls back and forth to set the required focal distance; adjust evenly on each side for a better range of focus. It is recommended to close one eye and set the focal distance of one lens at a time, until the image is clear.

Care and Maintenance

Wipe the 3D headset with a soft, damp, lint-free cloth and allow to dry thoroughly.

If necessary, clean the lenses using the lens cloth provided.

Do not immerse the 3D headset in water or any other liquid.

Do not expose the 3D headset to liquid, moisture or humidity.

Do not use any abrasive cleaning solvents to clean the 3D headset, as this can cause damage.

Do not expose the 3D headset to sharp objects, which may cause damage.

Do not expose the 3D headset to extremely high or low temperatures.

Do not drop the 3D headset.

Do not attempt to disassemble the 3D headset, as this may cause damage to the unit.

Do not dispose of the 3D headset in a fire.

Troubleshooting

Problem	Cause	Solution
The image appears doubled/split.	The mobile device is not centred in the phone cradle.	Remove the mobile device from the 3D headset and reinstall it following the instructions in the section entitled 'Installing a Mobile Device'. Ensure that the mobile device is centred in the mobile device rest before closing the front cover and using the 3D headset.
	The distance between the lenses is not set correctly.	Follow the instructions in the section entitled 'Adjusting the Lenses'.
The image appears blurred.	The focal distance is not set correctly.	Follow the instructions in the section entitled 'Adjusting the Lenses'.
	Dust, fingerprints or smudges are on the lenses.	Use the lens cloth provided to clean the lenses on both the back and front of the 3D headset.

Storage

Before storing the 3D headset, ensure that they are clean and dry.

Store in a cool, dry place.

Specifications

Product Code: EE1553

Maximum Mobile Device Size: 155 x 75 mm

Lens Separation Range: 65 mm

Focal Adjustment Range: 1–2 %/1.5–2 times

Field of View (FOV): 92–98 °

Notes:

**UP GLOBAL SOURCING,
Victoria Street, Manchester OL9 0DD. UK.**

If this product does not reach you in an acceptable condition please contact our Customer Services Department by one of the following methods:

Telephone: 0161 934 2240*

*Telephone lines are open Monday–Friday, 9 am–5 pm (Closed Bank Holidays)

Email: customercare@upgs.com

Fax: 0161 628 2126

Please have your delivery note to hand as details from it will be required.

If you wish to return this product please return it to the retailer from where it was purchased with your receipt (subject to their terms and conditions).

Guarantee

This product is guaranteed for a period of 1 year from the date of purchase against mechanical and electrical defects. This guarantee is only valid if the appliance is used solely for domestic purposes in accordance with the instructions and provided that it is not connected to an unsuitable electricity supply or dismantled or interfered with in any way or damaged through misuse.

Under this guarantee we undertake to repair or replace free of charge any parts found to be defective. Reasonable proof of purchase must be provided.

Nothing in this guarantee or in the instructions relating to this products excludes, restricts or otherwise affects your statutory rights. In line with our policy of continuous development we reserve the right to change this product, packaging and documentation specification without notice.

Consumables are not guaranteed i.e. plug and fuse.

The crossed out wheellie bin symbol on this item indicates that this appliance needs to be disposed of in an environmentally friendly way when it becomes of no further use or has worn out. Contact your local authority for details of where to take the item for recycling.



intempo[®]



Distributed by: UP Global Sourcing, Victoria Street, Manchester OL9 0DD. UK.

www.intempo.com

MADE IN CHINA.

CD110516/MD060716/V2