

# STYLUS MARK II AUDIO TURNTABLE



**AUDIO  
TECHNICA  
CARTRIDGE**

**TRANSFER  
TRACKS FROM  
VINYL  
TO YOUR  
COMPUTER**

**intempo**  
Making Music Cool

**INSTRUCTION MANUAL**



Please read all of the instructions carefully and retain for future reference.

## Safety Instructions

When using electrical units, basic safety precautions should always be followed.

Check that the voltage indicated on the rating plate corresponds with that of the local network before connecting the unit to the mains power supply.

Children aged from 8 years and people with reduced physical, sensory or mental capabilities or lack of experience and knowledge can use this unit, only if they have been given supervision or instruction concerning use of the unit in a safe way and understand the hazards involved.

Children should be supervised to ensure that they do not play with the unit.

Unless they are older than 8 and supervised, children should not perform cleaning or user maintenance.

This unit is not a toy.

This unit contains no user serviceable parts. If the unit and any of its accessories are malfunctioning or it has been dropped or damaged, only a qualified electrician should carry out repairs. Improper repairs may place the user at risk of harm.

Keep the unit and adaptor out of reach of children.

Keep the unit and adaptor away from heat or sharp edges that could cause damage.

Keep the unit away from heat sources, direct sunlight, humidity, water and any other liquid.

Keep the adaptor away from any parts of the unit that may become hot during use.

Keep the unit free from dust, lint etc.

Do not immerse the unit in water or any other liquid.

Do not operate the unit with wet hands.

Do not operate the unit if it has been exposed to water, moisture or any other liquid, to prevent against electric shock, explosion and/or injury to yourself and damage to the unit.

Do not leave the unit unattended whilst connected to another device.

Do not leave the unit unattended whilst connected to the mains power supply.

Do not remove the unit from the mains power supply by pulling the cord; switch it off and remove the plug by hand.

Do not use the unit for anything other than its intended use.

Do not use any accessories other than those supplied.

Do not use this unit outdoors.

Do not store the unit in direct sunlight or in high humidity conditions.

Do not move the unit whilst it is in use.

Do not put objects into any of the openings.

Do not play music at excessive volume levels as damage to hearing and/or the equipment may occur.

It is imperative to unplug the power cord once the unit has been used, before it is cleaned and whilst being repaired.

This unit must be placed on a stable, heat-resistant surface.

This unit is intended for domestic use only. It should not be used for commercial purposes.

To prevent possible hearing damage, do not listen at high volume levels for long periods of time.

Warning: Keep the unit away from flammable materials.

UP Global Sourcing UK Ltd. Hereby declares that this unit is in compliance with the essential requirements and other provisions of directive 1999/5/EC.

## Getting Started

Remove the unit from the box.

Remove any packaging from the unit.

Place the packaging inside the box and either store or dispose of safely.

## In the Box

Stylus Mark II Audio Turntable

Power Adaptor

Software Disc

RCA Line Cable

Line-in Aux. Cable

USB to PC Cable

Instruction Manual

## Features

Audio Technica Cartridge

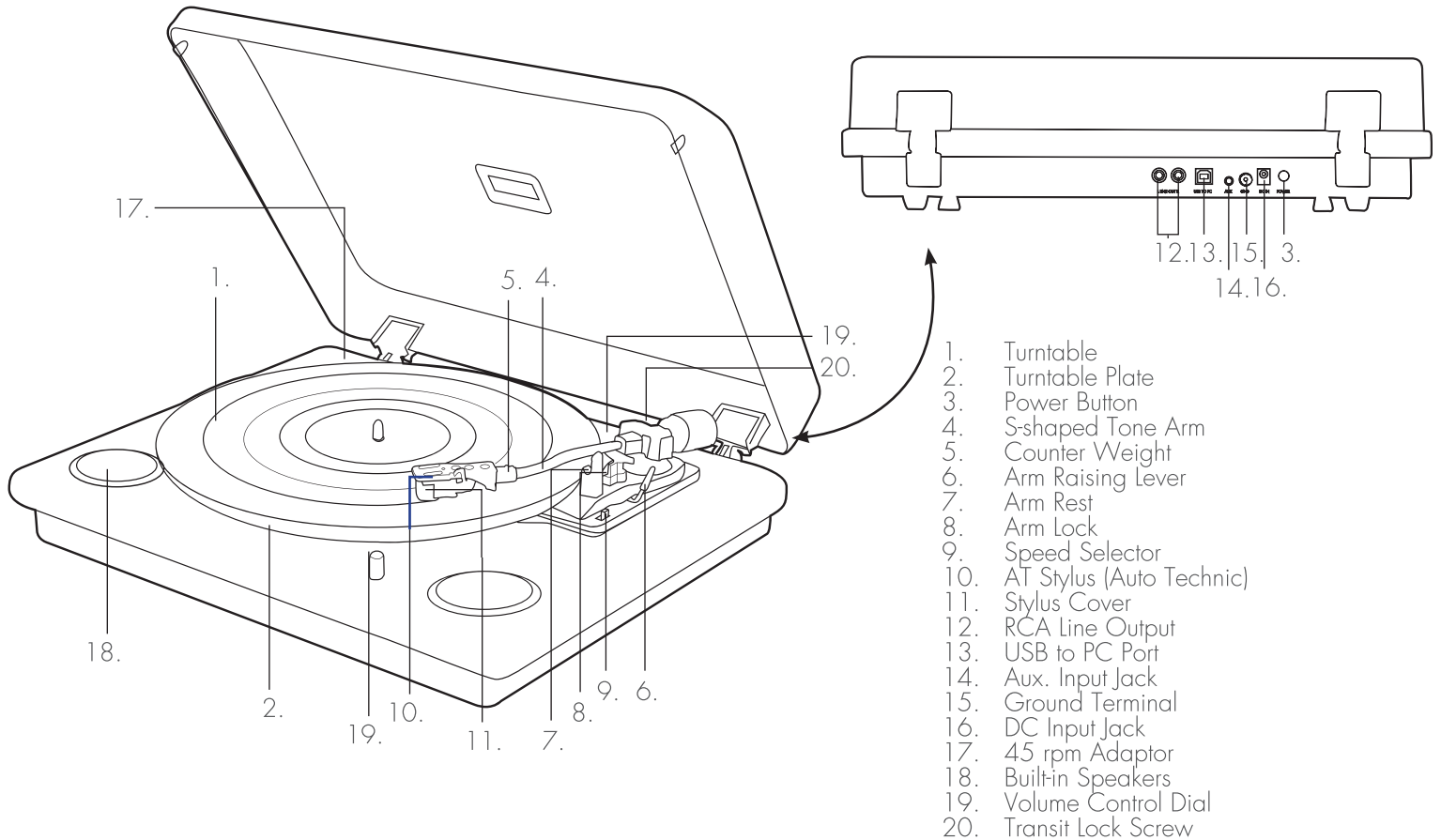
Max. Speaker Output: 2 x 3 W

Power Supply: 12 V 1 A

RCA Line Output

Aux. Input

## Description of Parts



## Instructions for Use

### Before First Use

Before using the Stylus Mark II Audio Turntable for the first time, loosen the transit lock screw on the turntable plate to allow the turntable to move freely when in use.

### Using the Stylus Mark II Audio Turntable

#### Basic Functionality

**STEP 1:** Plug the power adaptor into the DC input jack on the back of the Stylus Mark II Audio Turntable and then plug it into the mains power supply.

**STEP 2:** Turn on the Stylus Mark II Audio Turntable by pressing the 'Power' button.

**STEP 3:** Adjust the volume of the Stylus Mark II Audio Turntable by turning the volume control dial. To increase the volume, turn the volume control dial in a clockwise direction; turn it in an anticlockwise direction to decrease.

**STEP 4:** Press the 'Power' button to turn off the Stylus Mark II Audio Turntable.

#### Modes

Ensure that the Stylus Mark II Audio Turntable is turned on before using any of the following modes.

#### Turntable Mode

##### Listening to a Vinyl Record

**STEP 1:** Remove the stylus cover by gently sliding it away from the stylus.

**STEP 2:** Carefully place a record onto the turntable. If listening to a 45 rpm record with a large centre hole, place the 45 rpm adaptor onto the turntable first.

**STEP 3:** Use the speed selector to choose the correct speed setting for the record to be played (refer to the record for the correct speed setting).

**STEP 4:** Raise the tone arm by carefully pushing the arm raising lever backwards.

**STEP 5:** Unlock the tone arm from the arm rest by gently pushing the arm lock to the side.

**STEP 6:** Move the tone arm to the desired track of the record and gently lower it; the turntable will begin to spin and play automatically.

**STEP 7:** Once the tone arm reaches the end of the record at the centre of the turntable, the turntable will stop. Carefully lift away the tone arm and place it back into the arm rest.

**STEP 8:** Secure the tone arm once more by engaging the arm lock into place.

**STEP 9:** Press the 'Power' button to turn off the Stylus Mark II Audio Turntable.

**Note:** Always ensure that the tone arm is secured before transporting.

Do not force the counter weight on the tone arm, as this assists in maintaining equal pressure on the turntable during use.

## Connecting an External Amplifier or Speakers

**STEP 1:** Insert the RCA line cable into the RCA line output jacks, ensuring that each plug is correctly inserted according to the corresponding colour (red and white).

**STEP 2:** Plug the opposite ends of the RCA line cable into a suitable external amplifier or speaker. Music played through the Stylus Mark II Audio Turntable will now emit from the external amplifier or speaker in addition to the built-in speakers.

## Listening via Aux. Mode

**STEP 1:** Plug one end of the line-in Aux. cable into the Aux. input jack on the back of the Stylus Mark II Audio Turntable and plug the other end into the compatible device.

**STEP 2:** Sound can be controlled using the connected device.

## Using the Software Disc to Copy or Record a Vinyl

**STEP 1:** Insert the USB to PC cable into the USB to PC port at the rear of the Stylus Mark II Audio Turntable and plug the other end into a PC or Mac.

**STEP 2:** Carefully place the software disc provided into a PC or Mac and follow the installation instructions for the relevant PC type – Mac (Intel), Mac (PPC) or PC Version.

**STEP 3:** Select the software within the required folder and follow the Set-Up Wizard.

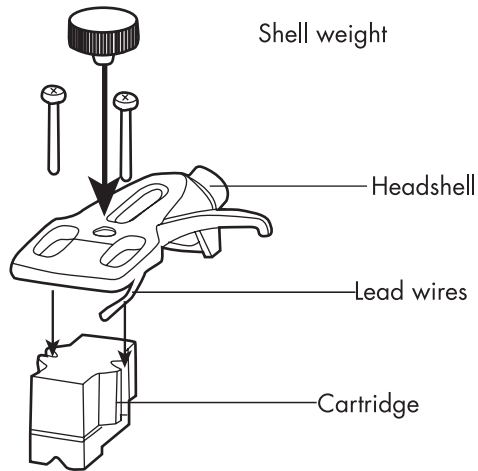
**Note:** The software can be used to copy or record a vinyl record onto a computer and save as a digital file.

## Replacing the Stylus Mark II Audio Turntable Stylus

The Stylus Mark II Audio Turntable stylus should last approximately 50 hours under normal use. However, it is recommended that the stylus be replaced as soon as a change in sound quality is noticed. Prolonged use of a worn-out stylus may damage the record. The highest speed 78 rpm records will wear out the stylus more quickly.



## Removing the Old Stylus



**STEP 1:** Carefully unfasten the screws using a crosshead screwdriver, holding the cartridge in place.

**STEP 2:** Remove each of the lead wires (red for R, white for L and black for GND) and then lower the cartridge off the headshell.

## Installing a New Stylus

**STEP 1:** Using tweezers or a similar tool, connect the lead wires to the correct position on the cartridge.

**STEP 2:** Hold the cartridge against the headshell whilst replacing the screws and securing them into place. Ensure not to overtighten the screws or apply too much pressure.

**Caution:** Ensure that the Stylus Mark II Audio Turntable is switched off before replacing the stylus. Do not bend the stylus or touch the needle, as this may cause injury.

## Care and Maintenance

### Handling Vinyl Records

Only handle vinyl records with clean hands by holding them using the edge. Touching the surface of a vinyl record will cause the playing quality to deteriorate. Avoid touching the grooves in any vinyl record.

To clean a vinyl record, use a soft, anti-static cloth to gently wipe the surface.

Store vinyl records in the protective sleeve when not in use.

Always store vinyl records upright on the edge.

Avoid placing vinyl records in direct sunlight, close to any heat source (radiators, stoves, etc.) or in a location that may be subject to vibration, excessive dust, heat, cold or moisture.

### Cleaning the Stylus Mark II Audio Turntable

Wipe the Stylus Mark II Audio Turntable with a soft, dry, lint-free cloth.

#### **Do not:**

Immerse the Stylus Mark II Audio Turntable in water or any other liquid.

Expose the Stylus Mark II Audio Turntable to liquid, moisture or humidity to avoid the unit's internal circuit being affected.

Use any abrasive cleaning solvents to clean the Stylus Mark II Audio Turntable, as this can cause damage.

Expose the Stylus Mark II Audio Turntable to sharp objects, which may cause damage.

Expose the Stylus Mark II Audio Turntable to extremely high or low temperatures as this will shorten the life of electronic devices, destroy the battery or distort certain plastic parts.

Drop the Stylus Mark II Audio Turntable, as the internal circuit may become damaged. Attempt to disassemble the Stylus Mark II Audio Turntable, as this may cause damage to the unit.

Dispose of the Stylus Mark II Audio Turntable in a fire, as it will result in an explosion.

## Troubleshooting

Problem	Solution
The Stylus Mark II Audio Turntable is unstable.	Adjust the transit lock screw to ensure that the turntable plate is loose enough.
The Stylus Mark II Audio Turntable has no power.	Ensure that the Stylus Mark II Audio Turntable is plugged in at the mains power supply and that the 'Power' button is on.
The record skips.	Ensure that the vinyl is clean and that the stylus does not need to be replaced.
The stylus needs to be replaced.	See the section entitled 'Replacing the Stylus Mark II Audio Turntable Stylus'.

## Specifications

Product Code: EE1514BLKSTK

Speaker Output: 2 x 3 W

Power Supply: 12 V 1 A

Frequency Response: 100 Hz–10 kHz





**UP GLOBAL SOURCING,  
Victoria Street, Manchester OL9 0DD. UK.**

If this product does not reach you in an acceptable condition please contact our Customer Services Department by one of the following methods:

Telephone: 0161 934 2240\*

\*Telephone lines are open Monday – Friday, 9 am–5 pm (Closed Bank Holidays)

Email: [customercare@upgs.com](mailto:customercare@upgs.com)

Fax: 0161 628 2126

Please have your delivery note to hand as details from it will be required.

If you wish to return this product please return it to the retailer from where it was purchased with your receipt (subject to their terms and conditions).

### **Guarantee**

This product is guaranteed for a period of 1 year from the date of purchase against mechanical and electrical defects. This guarantee is only valid if the appliance is used solely for domestic purposes in accordance with the instructions and provided that it is not connected to an unsuitable electricity supply or dismantled or interfered with in any way or damaged through misuse.

Under this guarantee we undertake to repair or replace free of charge any parts found to be defective. Reasonable proof of purchase must be provided.

Nothing in this guarantee or in the instructions relating to this products excludes, restricts or otherwise affects your statutory rights. In line with our policy of continuous development we reserve the right to change this product, packaging and documentation specification without notice.

Consumables are not guaranteed i.e. plug and fuse.

The crossed out wheellie bin symbol on this item indicates that this appliance needs to be disposed of in an environmentally friendly way when it becomes of no further use or has worn out. Contact your local authority for details of where to take the item for recycling.



intempo<sup>®</sup>



Distributed by: UP Global Sourcing, Victoria Street, Manchester OL9 0DD. UK.

[www.intempo.com](http://www.intempo.com)

MADE IN CHINA.

CD180716/MD000000/V1