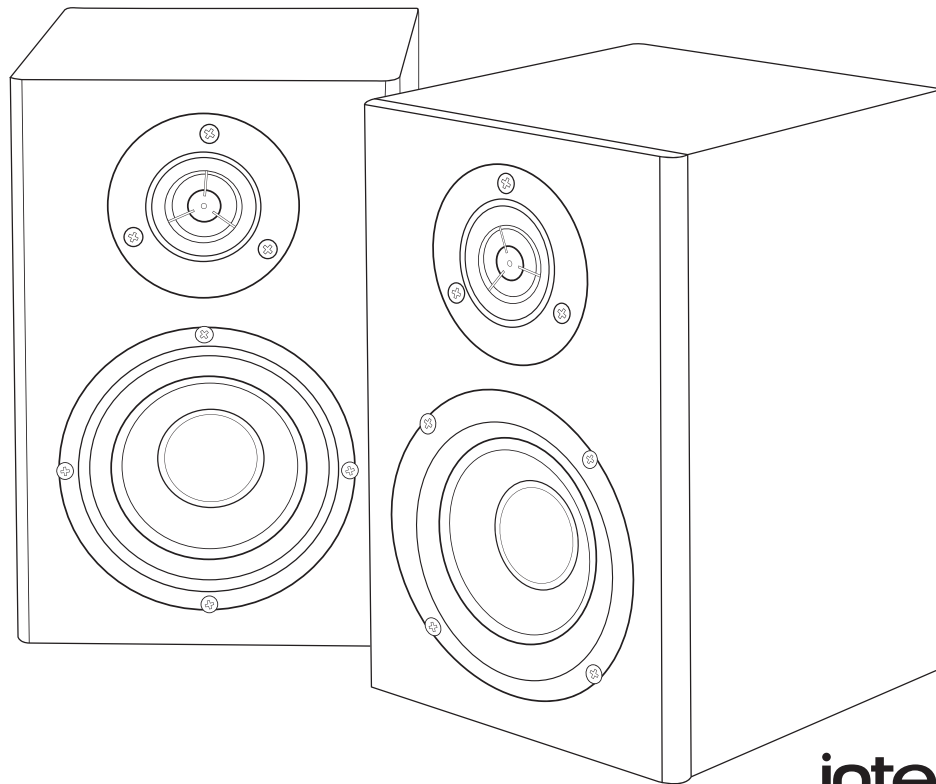


STYLUS SPEAKERS



intempo[®]
Making Music Cool



Please read all of the instructions carefully and retain for future reference.

Safety Instructions

When using electrical units, basic safety precautions should always be followed.

Check that the voltage indicated on the rating plate corresponds with that of the local network before connecting the unit to the mains power supply.

Children aged from 8 years and people with reduced physical, sensory or mental capabilities or lack of experience and knowledge can use this unit, only if they have been given supervision or instruction concerning use of the unit in a safe way and understand the hazards involved.

Children should be supervised to ensure that they do not play with the unit.

Unless they are older than 8 and supervised, children should not perform cleaning or user maintenance.

This unit is not a toy.

This unit contains no user serviceable parts. If the unit and any of its accessories are malfunctioning or it has been dropped or damaged, only a qualified electrician should carry out repairs. Improper repairs may place the user at risk of harm.

Keep the unit and power adaptor out of reach of children.

Keep the unit and power adaptor away from heat or sharp edges that could cause damage.

Keep the unit away from heat sources, direct sunlight, humidity, water and any other liquid.

Keep the power adaptor away from any parts of the unit that may become hot during use.

Keep the unit free from dust, lint etc.

Do not immerse the unit in water or any other liquid.

Do not operate the unit with wet hands.

Do not operate the unit if it has been exposed to water, moisture or any other liquid, to prevent against electric shock, explosion and/or injury to yourself and damage to the unit.

Do not leave the unit unattended whilst connected to another device.

Do not leave the unit unattended whilst connected to the mains power supply.

Do not remove the appliance from the mains power supply by pulling the cord; switch it off and remove the plug by hand.

Do not use the unit for anything other than its intended use.

Do not use any accessories other than those supplied.

Do not use this unit outdoors.

Do not store the unit in direct sunlight or in high humidity conditions.

Do not move the unit whilst it is in use.

Do not put objects into any of the openings.

Do not play music at excessive volume levels as damage to hearing and/or the equipment may occur.

It is imperative to unplug the power adaptor after the unit has been used, before it is cleaned and whilst being repaired.

This unit must be placed on a stable, heat-resistant surface.

This unit is intended for domestic use only. It should not be used for commercial purposes.

To prevent possible hearing damage, do not listen at high volume levels for long periods of time.

Warning: Keep the unit away from flammable materials.

UP Global Sourcing UK Ltd. Hereby declares that this unit is in compliance with the essential requirements and other provisions of directive 1999/5/EC.

Getting Started

Remove the unit from the box.

Remove any packaging from the unit.

Place the packaging inside the box and either store or dispose of safely.

In the Box

Stylus Speakers

Speakers Connection Cable

RCA Line Cables

Instruction Manual

Features

Speaker Output: 2 x 10 W

Built-in Amplifier

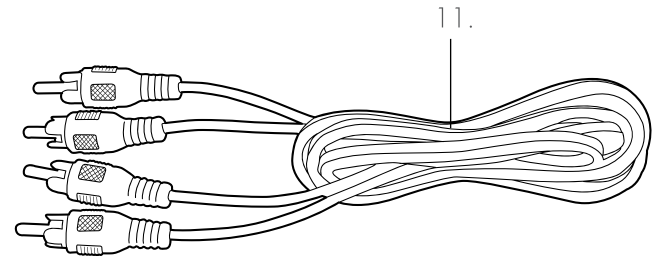
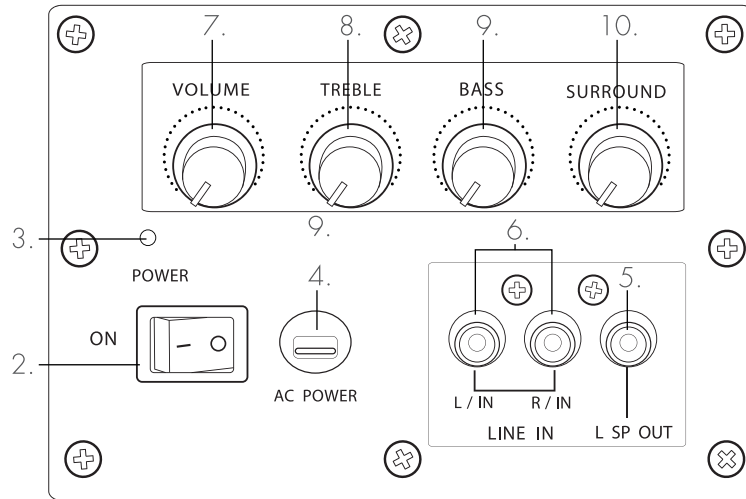
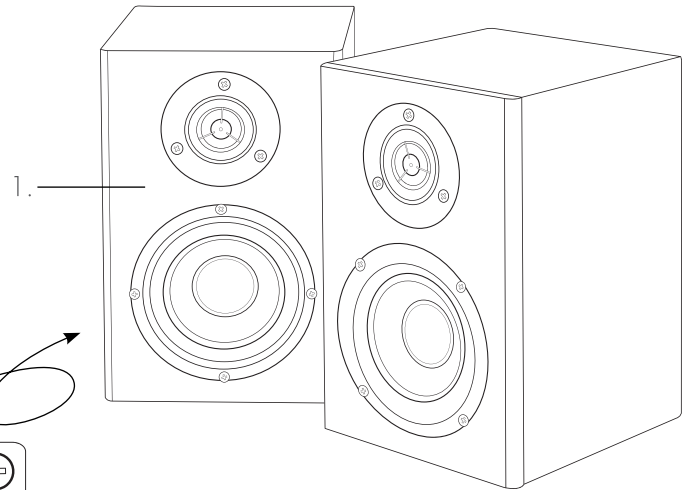
5 " Woofer and 2.5 " Tweeter

Independent Volume, Treble, Bass and Surround Controls

*Intempo Stylus Turntable sold separately

Description of Parts

1. Stylus Speakers
2. On/Off Switch
3. Power Indicator Light
4. AC Input Jack
5. Speaker Input Jack
6. RCA Output Jack x 2 (1 x red, 1 x white)
7. Volume Control Dial
8. Treble Control Dial
9. Bass Control Dial
10. Surround Control Dial
11. Speakers Connection Cable



Instructions for Use

Using the Stylus Speakers

STEP 1: Use the RCA line cables to connect the Stylus Speakers to the chosen music source. The left and right (white and red) RCA output jacks can be used to connect the speaker to the chosen device.

STEP 2: Plug the Stylus Speakers into the mains power supply using the power cable provided.

STEP 3: Turn on the Stylus Speakers by flicking the 'On/Off' switch on the back of the unit to the 'On' position. The power indicator light will illuminate green to signal that the Stylus Speakers are switched on.

STEP 4: Adjust the volume by turning the volume control dial clockwise to increase and anticlockwise to decrease.

STEP 5: To adjust the bass, turn the bass control dial clockwise to increase and anticlockwise to decrease.

STEP 6: Adjust the treble by turning the treble control clockwise to increase and anticlockwise to decrease.

STEP 7: To adjust the surround, turn the surround control dial clockwise to increase and anticlockwise to decrease.

STEP 8: To switch off the Stylus Speakers, turn the volume control dial anticlockwise, and flick the 'On/Off' switch to the 'Off' position. The power indicator light will switch off to signal that the Stylus Speakers are now switched off.

Caution: Listening at high volume for long periods of time may damage hearing. Adjust the volume to a comfortable level or lower the volume if listening for extended periods of time.

Care and Maintenance

Wipe the Stylus Speakers with a soft, damp, lint-free cloth and allow to dry thoroughly.

Do not:

Immerse the Stylus Speakers in water or any other liquid.

Expose the Stylus Speakers to liquid, moisture or humidity to avoid the unit's internal circuit being affected.

Use any abrasive cleaning solvents to clean the Stylus Speakers, as this can cause damage.

Expose the Stylus Speakers to sharp objects, which may cause damage.

Expose the Stylus Speakers to extremely high or low temperatures as this will shorten the life of electronic devices, destroy the battery or distort certain plastic parts.

Drop the Stylus Speakers, as the internal circuits may become damaged.

Attempt to disassemble the Stylus Speakers, as this may cause damage to the units.

Dispose of the Stylus Speakers in a fire, as it will result in an explosion.

Troubleshooting

Problem	Cause	Solution
The Stylus Speakers have no power.	The Stylus Speakers have not been connected to the mains power supply correctly.	Ensure the mains power supply is on and that the Stylus Speaker is switched to the 'On' position.
The Stylus Speakers have no sound.	The volume level is set too low.	Check that the volume level is set at an audible level and adjust accordingly with the connected device.

Specifications

Product Code: EE1508

Speaker Output: 2 x 10 W

Power Input: 220–240 V ~ 50/60 Hz

Woofer: 5 " (125 mm)

Tweeter: 2.5 " (62.5 mm)

Size: Each speaker 230 mm (H) x 150 mm (W) x 160 mm (D)

Notes:

**UP GLOBAL SOURCING,
Victoria Street, Manchester OL9 0DD. UK.**

If this product does not reach you in an acceptable condition please contact our Customer Services Department by one of the following methods:

Telephone: 0161 934 2240*

*Telephone lines are open Monday – Friday, 9 am–5 pm (Closed Bank Holidays)

Email: customercare@upgs.com

Fax: 0161 628 2126

Please have your delivery note to hand as details from it will be required.

If you wish to return this product please return it to the retailer from where it was purchased with your receipt (subject to their terms and conditions).

Guarantee

This product is guaranteed for a period of 1 year from the date of purchase against mechanical and electrical defects. This guarantee is only valid if the appliance is used solely for domestic purposes in accordance with the instructions and provided that it is not connected to an unsuitable electricity supply or dismantled or interfered with in any way or damaged through misuse.

Under this guarantee we undertake to repair or replace free of charge any parts found to be defective. Reasonable proof of purchase must be provided.

Nothing in this guarantee or in the instructions relating to this products excludes, restricts or otherwise affects your statutory rights. In line with our policy of continuous development we reserve the right to change this product, packaging and documentation specification without notice.

Consumables are not guaranteed i.e. plug and fuse.

The crossed out wheellie bin symbol on this item indicates that this appliance needs to be disposed of in an environmentally friendly way when it becomes of no further use or has worn out. Contact your local authority for details of where to take the item for recycling.



intempo[®]



Distributed by: UP Global Sourcing, Victoria Street, Manchester OL9 0DD. UK.

www.intempo.com

MADE IN CHINA.

CD290616/MD000000/V1