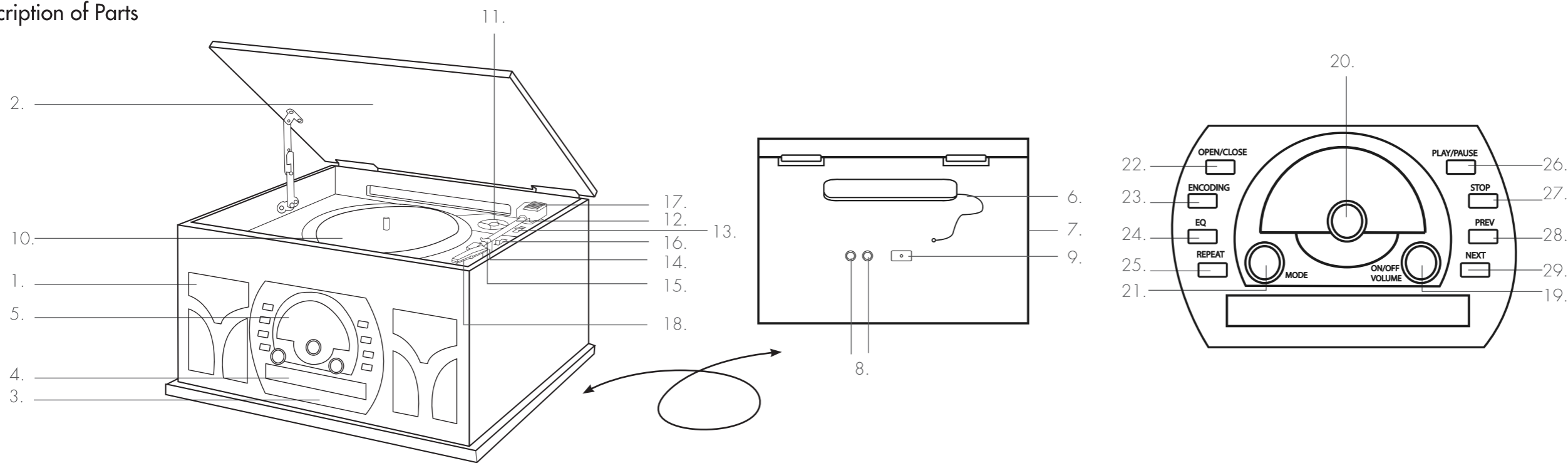


Description of Parts



For the Multifunctional Media Centre

1. Speakers
2. Turntable Cover
3. Built-in CD Player
4. Disc Tray
5. Frequency Display
6. FM Antenna

7. USB Input Port
8. Aux. Input Ports
9. DC Input Socket

For the Turntable

10. Turntable
11. 45 rpm Adaptor

12. Tone Arm
13. Arm Raising Lever
14. Arm Rest
15. Arm Lock
16. Speed Selector
17. Control Perch
18. Turntable Pickup

For the Control Panel

19. On/Off/Volume Control Dial
20. AM/FM Radio Control Dial
21. Mode Control Dial
22. Open/Close Button (OPEN/CLOSE)
23. Encoding Button (ENCODING)

24. Equaliser Button (EQ)
25. Repeat Button (REPEAT)
26. Play/Pause Button (PLAY/PAUSE)
27. Stop Button (STOP)
28. Skip - Button (PREV)
29. Skip + Button (NEXT)

Please read all of the instructions before use and retain for future reference.

Safety Instructions

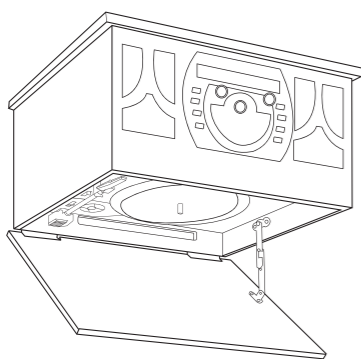
When using electrical units, basic safety precautions should always be followed.

Check that the voltage indicated on the rating plate corresponds with that of the local network before connecting the unit to the mains power supply.

Children aged from 8 years and people with reduced physical, sensory or mental capabilities or lack of experience and knowledge can use this unit, only if they have been given supervision or instruction concerning use of the unit in a safe way and understand the hazards involved.

Children should be supervised to ensure that they do not play with the unit.

Unless they are older than 8 and supervised, children should



not perform cleaning or user maintenance.

This unit is not a toy.

This unit contains no user serviceable parts. If the unit and any of its accessories are malfunctioning or it has been dropped or damaged, only a qualified electrician should carry out repairs. Improper repairs may place the user at risk of harm. Keep the unit and adaptor out of the reach of children.

Keep the unit and adaptor away from heat or sharp edges that could cause damage.

Keep the unit away from heat sources, direct sunlight, humidity, water and any other liquid.

Keep the adaptor away from any parts of the unit that may become hot during use.

Keep the unit free from dust, lint etc. Do not immerse the unit in water or any other liquid.

Do not operate the unit with wet hands. Do not operate the unit if it

has been exposed to water, moisture or any other liquid, to prevent against electric shock, explosion and/or injury to yourself and damage to the unit.

Do not leave the unit unattended whilst connected to the mains power supply.

Do not remove the appliance from the mains power supply by pulling the cord; switch it off and remove the plug by hand.

Do not use the unit for anything other than its intended use.

Do not use any accessories other than those supplied.

Do not use this unit outdoors.

Do not store the unit in direct sunlight or in high humidity conditions.

Do not move the unit whilst it is in use. Do not put objects into any of the openings.

Do not play music at excessive volume levels as damage to hearing and/or the equipment may occur. It is imperative to unplug the power

cord after the unit has been used, before it is cleaned and whilst being repaired.

This unit must be placed on a stable, heat-resistant surface.

This unit is intended for domestic use only. It should not be used for commercial purposes. To prevent possible hearing damage, do not listen at high volume levels for long periods of time.

Warning: Keep the unit away from flammable materials.

Caution



CLASS 1 LASER PRODUCT

CAUTION - CLASS 1 LASER RADIATION WHEN OPEN. DO NOT VIEW DIRECTLY WITH OPTICAL INSTRUMENTS

This unit utilises a laser.

The use of optical instruments with this unit will increase eye hazard, as the laser used in the CD player is harmful to eyes.

Use of controls, adjustments or performance of procedures other than those specified herein may result in hazardous radiation exposure.

Do not attempt to disassemble or repair the unit; refer servicing to qualified personnel only.

This unit is classified as a class 1 laser product.

The class 1 laser product marking is located on the laser protective housing inside the enclosure.

UP Global Sourcing UK Ltd. hereby declares that this unit is in compliance with the essential requirements and other provisions of directive 2014/53/EU.

The declaration of conformity may be consulted at UP Global Sourcing UK Ltd., Victoria Street, Manchester OL9 0DD.

Care and Maintenance Handling Vinyl Records

Only handle vinyl records with clean hands by holding them using the edge. Touching the surface of a vinyl record will cause the playing quality to deteriorate. Avoid touching the

CD080617/MD110717/2
Made in China.
Manchester OL9 0DD, UK.
Victoria Street,
UP Global Sourcing UK Ltd.,
Manufactured by:



intempo



grooves in any vinyl record.

To clean a vinyl record, use a soft, anti-static cloth to gently wipe the surface.

Store vinyl records in the protective sleeve when not in use.

Always store vinyl records upright on the edge.

Avoid placing vinyl records in direct sunlight, close to any heat source (radiators, stoves, etc.) or in a location that may be subject to vibration, excessive dust, heat, cold or moisture.

Cleaning the Multifunctional Media Centre

Wipe the media centre with a soft, dry, lint-free cloth.

Do not:

Immerse the media centre in water or any other liquid.

Expose the media centre to liquid, moisture or humidity to avoid the unit's internal circuit being affected.

Turntable Mode

Listening to a Vinyl Record

STEP 1: Turn on the media centre by rotating the on/off/volume control dial in a clockwise direction.

STEP 2: Remove the protective white needle cover by gently sliding it away from the tone arm.

STEP 3: Carefully place a record onto the turntable, remembering to apply the 45 rpm adaptor first, if listening to a 45 rpm record with a large centre hole.

STEP 4: Unlock the tone arm from the arm lock by pushing it aside.

STEP 5: Raise the tone arm using the arm raising lever or by carefully lifting it.

STEP 6: Move the tone arm across to the outer edge of the record and gently lower it using the arm raising lever; the turntable will begin to spin and play automatically.

STEP 7: Once the record has finished playing, lift away the tone arm and place it back into the arm rest.

Use any abrasive cleaning solvents to clean the media centre, as this can cause damage.

Expose the media centre to sharp objects, which may cause damage. Expose the media centre to extremely high or low temperatures, as this will shorten the life of electronic devices, destroy the battery or distort certain plastic parts.

Drop the media centre, as the internal circuit may become damaged.

Attempt to disassemble the media centre, as this may cause damage to the unit.

Dispose of the media centre in a fire, as it will result in an explosion.

Getting Started

Remove the unit from the box.

Remove any packaging from the unit.

Place the packaging inside the box and either store or dispose of safely.

STEP 8: Secure the tone arm once more by engaging the arm lock.

STEP 9: Rotate the on/off/volume control dial in an anticlockwise direction until it clicks, to turn off the media centre.

Note: The turntable will automatically stop rotating once the tone arm reaches the end of the record. The tone arm must be secured before transporting.

Replacing the Multifunctional Media Centre

The media centre stylus should last approximately 50 hours under normal use. However, it is recommended that the stylus be replaced as soon as a change in sound quality is noticed. Prolonged use of a worn-out stylus may damage any records and the highest speed 78 rpm records will wear out the stylus more quickly.

In the Box

Multifunctional Media Centre
AC Power Adaptor
Line-in Aux. Cable
Instruction Manual

Features

Bluetooth Version: 2.1 + EDR
Wireless Range: 10 m
Speaker Output: 2 x 5 W
AM/FM Function
USB Encoding Function
Line-in Aux. Cable (Included)
Power Adaptor (Included)
Instructions for Use

Using the Multifunctional Media Centre

Basic Functionality

Plug the DC input jack on the power adaptor into the DC input socket on the reverse of the media centre and then plug the adaptor into the mains power supply and switch it on.

Turn on the media centre by rotating the on/off/volume control dial in a

clockwise direction, until it clicks.

Cycle between functions by rotating the mode control dial in a clockwise direction until the desired operation is selected (Bluetooth, Aux, USB, AM/FM Radio, Turntable and CD mode).

Adjust the volume by rotating the on/off/volume control dial. Rotate the on/off/volume control dial in a clockwise direction to increase the volume; decrease the volume by rotating it in an anticlockwise direction.

To pause the track, press 'PLAY/PAUSE'; push it again to resume the track.

Switch to the next track by pressing 'NEXT'; play the previous track by pressing 'PREV'.

To turn off the media centre, rotate the on/off/volume control dial in an anticlockwise direction, until it clicks.

Modes

The media centre must be turned on before using any of the following modes.

Caution: The media centre must be powered off using the on/off volume control dial before replacing the stylus. Do not bend the stylus or touch the needle, as this may cause injury.

CD Mode

Inserting a CD

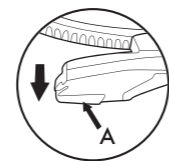
STEP 1: To access the built-in CD player, eject the disk tray by pressing 'OPEN/CLOSE'.

STEP 2: Insert the CD to be played with the artwork visible. Gently press the CD into the disk tray and then close the CD player.

STEP 3: Rotate the mode control dial until CD mode is selected.

Warning: The CD player utilises a class 1 laser. Always exit CD mode before opening the CD player to remove or change CDs. Never look directly at the laser pickup head.

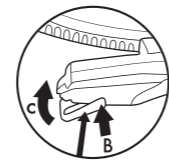
Removing the Old Stylus



STEP 1: Carefully place a screwdriver at the tip of the stylus and push downward (A).

STEP 2: Remove the old stylus by gently pulling it down and forward simultaneously.

Installing a New Stylus



STEP 1: Hold the stylus at the front edge (needle side) and insert the rear edge onto the tone arm (B).

STEP 2: Push the stylus upward, until it locks into position (C).

Bluetooth Mode

STEP 1: Once the media centre has been turned on, rotate the mode control dial in a clockwise direction until Bluetooth mode is selected.

STEP 2: Search for the media centre using a Bluetooth compatible device. Select 'EE1406' to connect and pair.

Note: Once connected, sound can be controlled using the control panel or the relevant controls on the Bluetooth compatible device.

Aux. Mode

STEP 1: To use Aux. mode, connect the line-in Aux. cable to the Aux. input port on the back of the media centre and the other end to an MP3 player or other compatible audio source.

STEP 2: Rotate the mode control dial in a clockwise direction until Aux. mode is selected.

Note: Once connected, sound can be controlled using the relevant controls on the compatible audio source.

Listening to a CD

STEP 1: To use the CD player, follow the instructions in the section entitled 'Inserting a CD'.

STEP 2: To control the sound when a CD is inserted into the media centre, follow the instructions in the section entitled 'Using the Multifunctional Media Centre'.

STEP 3: To repeat the current track, press 'REPEAT'.

STEP 4: Repeat the entire CD by pressing 'REPEAT' a second time.

STEP 5: Cancel the repeat function by pressing 'REPEAT' once more.

STEP 6: To end CD playback, press 'STOP'.

Ripping a CD

STEP 1: To rip a CD onto a USB drive, plug a compatible USB drive into the USB port.

STEP 2: Insert the desired CD into the disc tray.

STEP 3: Press 'ENCODE'; the CD will begin to rip onto the USB drive.

USB Mode

STEP 1: To use USB mode, insert a compatible USB drive (not included) into the USB port on the side of the unit.

STEP 2: Rotate the mode control dial in a clockwise direction until USB mode is selected.

Note: Once connected, sound can be controlled using the media centre.

The media centre will only recognise MP3 audio files; if other files are present on the USB drive, this may prevent the media centre from playing.

AM/FM Radio Mode

STEP 1: Extend the antenna for the best possible reception.

STEP 2: Rotate the mode control dial in a clockwise direction until the desired radio mode is selected (AM/FM).

STEP 3: Select the desired station by rotating the AM/FM radio control dial.

STEP 4: To stop the ripping process, press 'ENCODE' again.

Specifications

Product Code: EE1406STK
Bluetooth Version: 2.1 + EDR
Wireless Range: 10 m
Speaker Output: 2 x 5 W
Power Supply: 5 V 2 A