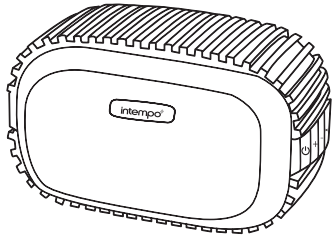


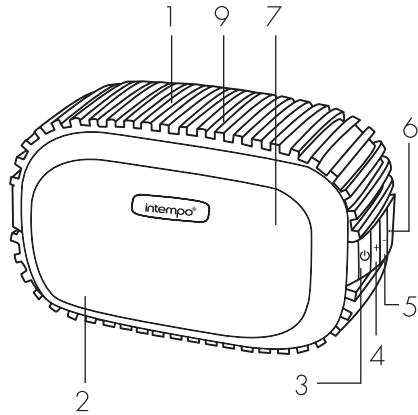
**WATER-RESISTANT  
BLUETOOTH® SPEAKER**



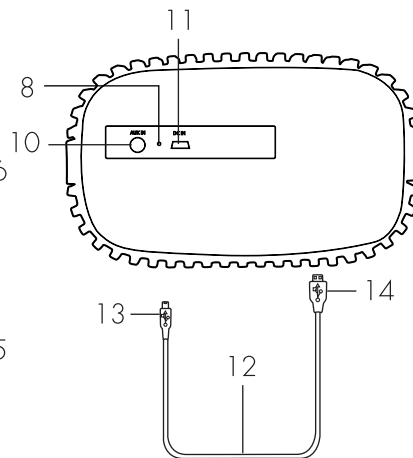
**intempo®**  
Making Music Cool

**INSTRUCTION MANUAL**

### Description of Parts



1. Water-resistant Bluetooth® Speaker Main Unit
2. Speakers
3. Power Button (⏻)
4. Skip/Volume + Button (+)
5. Skip/Volume - Button (-)
6. Play/Pause/Hands-free Button (⏮/⏭)
7. LED Indicator Light



8. Charging Indicator Light
9. Built-in Hands-free Microphone
10. Aux. Input Port
11. Micro USB Charging Port
12. USB Charging Cable
13. Micro USB Connector
14. USB Connector

become hot during use. Keep the unit free from dust, lint etc. Do not leave the unit unattended whilst connected to another device. Do not use the unit for anything other than its intended use. Do not use any accessories other than those supplied. Do not use this unit outdoors. Do not store the unit in direct sunlight or in high humidity conditions. Do not put objects into any of the openings. Do not play music at excessive volume levels as damage to hearing and/or the equipment may occur. It is imperative to unplug the USB

cable after the unit has been used, before it is cleaned and whilst being repaired. This unit must be placed on a stable, heat-resistant surface. This unit is intended for domestic use only. It should not be used for commercial purposes. To prevent possible hearing damage, do not listen at high volume levels for long periods of time. **Warning:** Keep the unit away from flammable materials. **Battery Safety** The supply terminals are not to be short-circuited. Exhausted batteries should be removed from the product to avoid leakage. In the event of any batteries

leaking, do not allow any liquid to come into contact with the skin or eyes. If contact has been made, wash the affected area with copious amounts of water and seek medical advice. Keep batteries out of the reach of children. Avoid storing in direct sunlight. Do not dispose of batteries in a fire. Do not crush, puncture, dismantle or otherwise damage batteries. Do not store above 60 °C. Do not expose batteries to heat or fire as they may explode. Do not subject any batteries to mechanical shock. Do not dispose exhausted batteries in household waste.

Please read all instructions carefully before use and retain for future reference.

### Safety Instructions

When using electrical units, basic safety precautions should always be followed. Children aged from 8 years and people with reduced physical, sensory or mental capabilities or lack of experience and knowledge can use this unit, only if they have been given supervision or instruction concerning use of the unit in a safe way and understand the hazards involved. Children should be supervised to ensure that they do not play with the unit. Unless they are older than 8

and supervised, children should not perform cleaning or user maintenance. This unit is not a toy. This unit contains no user serviceable parts. If the unit and any of its accessories are malfunctioning or it has been dropped or damaged, only a qualified electrician should carry out repairs. Improper repairs may place the user at risk of harm. Keep the unit and USB cable away from heat or sharp edges that could cause damage. Keep the unit away from heat sources, direct sunlight, and humidity. Keep the USB cable away from any parts of the unit that may

CD220517/M000000/M1

Made in China.  
Manchester OL9 0DD, UK.  
Victoria Street,  
UP Global Sourcing UK Ltd.,

Manufactured by



**intempo**



To dispose of exhausted batteries, take them to a local recycling station. Contact the local government offices for further details. This product is fitted with a 3.7 V 400 mAh battery. UP Global Sourcing UK Ltd. hereby declares that this unit is in compliance with the essential requirements and other provisions of directive 2014/53/EU. The declaration of conformity may be consulted at UP Global Sourcing UK Ltd., Victoria Street, Manchester OL9 0DD. **Care and Maintenance** Wipe the speaker with a soft, damp, lint-free cloth and allow to dry thoroughly.

## Do not:

Use any abrasive cleaning solvents to clean the speaker, as this can cause damage. Expose the speaker to sharp objects, which may cause damage. Expose the speaker to extremely high or low temperatures as this will shorten the life of electronic devices, destroy the battery or distort certain plastic parts. Drop the speaker, as the internal circuit may become damaged. Attempt to disassemble the speaker, as this may cause damage to the unit. Dispose of the speaker in a fire, as it will result in an explosion.

## Getting Started

Remove the unit from the box. Remove any packaging from the unit. Place the packaging inside the box and either store or dispose of safely.

### In the Box

Water-resistant Bluetooth® Speaker  
USB Charging Cable  
Line-in Aux. Cable  
Instruction Manual

### Features

Bluetooth Connectivity: 4.2 + EDR  
Wireless Range: 10 m  
Speaker Output: 3 W  
Built-in Rechargeable Battery  
USB Charging Cable (Included)  
Line-in Aux. Cable (Included)  
IPX4 – Splash Resistant  
Drop Proof: 1.2 m

## Instructions for Use

### Charging the Battery

The speaker is fitted with a 3.7 V 400 mAh Li-ion battery. It is recommended that the battery is charged fully before first use; this will take approx. 3–5 hours. Push back the slider and remove the rubber cover. Connect the micro USB end of the USB charging cable into the 5 V 1 A DC charging port on the back of the speaker and the other end to a compatible USB port. Whilst charging, the LED indicator light will illuminate red. Once the battery has fully charged, the LED indicator light will switch off. Once the speaker is fully charged, carefully disconnect both ends of

the USB charging cable and store it safely for future use.

### Using the Water-resistant Bluetooth® Speaker

#### Basic Functionality

Turn on the speaker by pressing and holding '⏻' on the side of the unit for approx. 3 seconds. Pause a track by pressing '⏸'; push it again to resume the track. Adjust the volume of the speaker using '+' and '-'. Press '+' to increase the volume; decrease the volume by pressing '-'. To switch to the next track, press and hold '+'; play the previous track by pressing and holding '-'. Press and hold '⏻' for approx. 3 seconds to turn off the speaker.

## Modes

The speaker must be turned on before using any of the following modes.

### Bluetooth Mode

#### Pairing with a Bluetooth Compatible Device

**STEP 1:** Once the speaker has been turned on, the LED indicator light will flash blue in quick bursts to indicate that the speaker is ready to be paired with a Bluetooth compatible device.  
**STEP 2:** Search for the speaker using a Bluetooth compatible device. Select 'EE1272' and pair. Once a connection has been made, the LED indicator light will flash blue in slow bursts to indicate that the devices are paired.

**Note:** Once connected, sound can be controlled using either the speaker or the relevant controls on the Bluetooth compatible device.

**STEP 4:** To reject an incoming phone call, press and hold '▶/⏸' for approx. 2–3 seconds.

### Aux. Mode

To use Aux. mode, push back the slider and remove the rubber cover. Connect one end of the line-in Aux. cable to the Aux. input port on the back of the speaker and the other end to an MP3 player or other compatible audio source.

**Note:** Once connected, the volume can be controlled using either the speaker or the relevant controls on the compatible audio source. To skip tracks, use the relevant controls on the compatible audio source.

The LED indicator light will remain a solid red during Aux. mode. The speaker cannot be used to skip tracks during Aux. mode.

## Troubleshooting

### The speaker has no power.

The speaker has run out of charge. Charge the speaker following the instructions in the section entitled 'Charging the Battery'.

### The speaker has no sound.

The volume level is set too low. Check that the volume level is set at an audible level and adjust accordingly with the connected device. The speaker is not paired with a Bluetooth compatible device.

Follow the instructions in the section entitled 'Pairing with a Bluetooth Compatible Device'.

The speaker is not connected to a compatible audio source. Follow the instructions in the section entitled 'Aux. mode'.

### Unable to pair a device with the speaker.

The Bluetooth device is not compatible with the speaker. Check that the Bluetooth device is compatible with the speaker and that the Bluetooth function is switched on.

### The charge of the speaker depletes quickly.

The volume level is set too high. Excessive use of the speaker at

high volumes will drain the battery quickly. Charge the speaker following the instructions in the section entitled 'Charging the Battery' and listen at a lower volume for better results.

The battery may be reaching the end of its service life and will need to be removed. See the section entitled 'Battery Safety'.

## Specifications

Product Code: EE1272STK  
Bluetooth Version: 4.2 + EDR  
Wireless Range: 10 m  
Speaker Output: 3 W  
Power Supply: 5 V 1 A DC  
Working Voltage: 3.7 V  
Rechargeable Battery: 400 mAh

## Making Phone Calls via a Bluetooth Compatible Device

**STEP 1:** Using the Bluetooth compatible device, dial the number to be called and select the Bluetooth/hands-free option. The speaker and its built-in microphone will now act as a hands-free device.  
**STEP 2:** To connect or disconnect a call using the speaker, press '▶/⏸'.  
**STEP 3:** The volume of the phone call can be controlled using either the speaker or the Bluetooth compatible device.