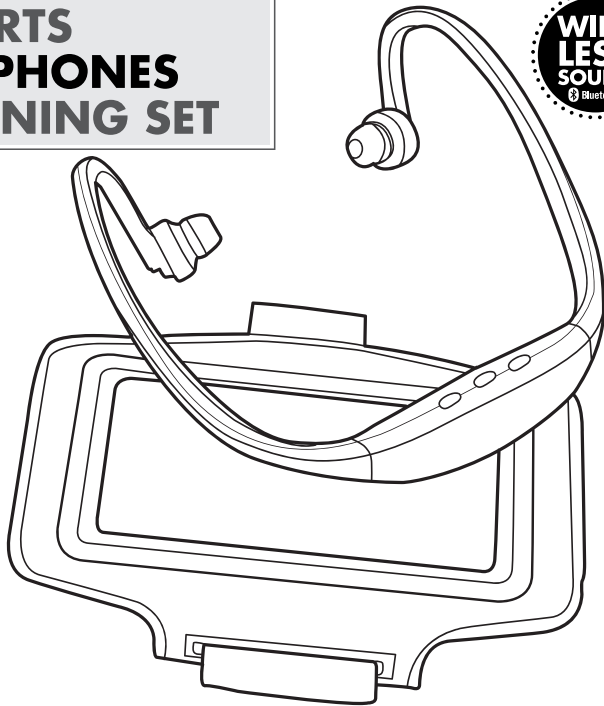


**SPORTS
EARPHONES
RUNNING SET**



intempo⁺
Making Music Cool



Please read all of the instructions carefully and retain for future reference.

Safety Instructions

When using electrical products, basic safety precautions should always be followed.

Children aged from 8 years and people with reduced physical, sensory or mental capabilities or lack of experience and knowledge can use this product, only if they have been given supervision or instruction concerning use of the product in a safe way and understand the hazards involved.

Children should be supervised to ensure that they do not play with the product.

Unless they are older than 8 and supervised, children should not perform cleaning or user maintenance.

This product is not a toy.

This product contains no user serviceable parts. If the product and any of its accessories are malfunctioning or it has been dropped or damaged, only a qualified electrician should carry out repairs. Improper repairs may place

the user at risk of harm.

Keep the product and USB cable out of reach of children.

Keep the product and USB cable away from heat or sharp edges that could cause damage.

Keep the product away from heat sources, direct sunlight, humidity, water and any other liquid.

Keep the USB cable away from any parts of the product that may become hot during use.

Keep the product free from dust, lint etc.

Do not immerse the product in water or any other liquid.

Do not operate the product with wet hands.

Do not operate the product if it has been exposed to water, moisture or any other liquid, to prevent against electric shock, explosion and/or injury to yourself and damage to the product.

Do not leave the product unattended whilst connected to another device.

Do not use the product for anything other than its intended use.

Do not use any accessories other than those supplied.

Do not store the product in direct sunlight or in high humidity conditions.

Do not play music at excessive volume levels as damage to hearing and/or the equipment may occur.

This product is intended for domestic use only. It should not be used for commercial purposes.



To prevent possible hearing damage, do not listen at high volume levels for long periods of time.

Warning: Keep the product away from flammable materials.

Battery Safety

The battery product should not be placed near excessive heat sources, such as fire.

The supply terminals are not to be short-circuited.

Exhausted batteries should be removed from the product to avoid leakage.

In the event of the battery leaking, do not allow any liquid to come into contact with the skin or eyes.

If contact has been made, wash the affected area with copious amounts of water and seek medical advice.

Keep batteries out of reach of children.

Avoid storing in direct sunlight.

Do not dispose of the battery unit in a fire.

Do not crush, puncture, dismantle or otherwise damage the battery.

Do not store above 60 °C.

Do not expose batteries to heat or fire as they may explode.

Do not subject the battery to mechanical shock.

Do not dispose of the exhausted battery in your household waste.

To dispose of the exhausted battery, take it to your local recycling station. Contact your local government offices for further details. This product is fitted with a 3.7 V 100 mAh Li-ion rechargeable battery (non-removable).

UP Global Sourcing UK Ltd. hereby declares that this product is in compliance with the essential requirements and other relevant provisions of Directive 1999/5/EC.

Getting Started

Remove the product from the box.

Remove any packaging from the product.

Place the packaging inside the box and either store or dispose of safely.

In the Box

Sports Earphones
Adjustable Armband
USB Charging Cable
Instruction Manual

Features

Sports Earphones

Bluetooth Version: 2.1

Wireless Range: 10 m

Driver Size: 15 mm

Impedance: 32 Ω

Sensitivity: 80 dB

Frequency Response: 20 Hz~20kHz

Built-in Rechargeable Battery

Adjustable Armband

Elasticated Strap

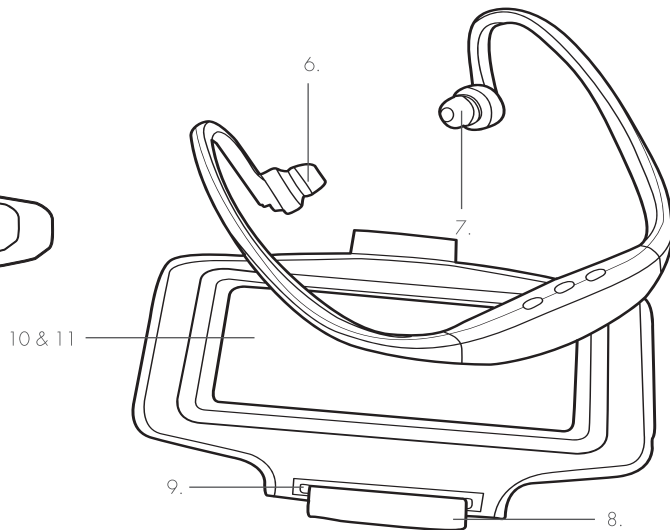
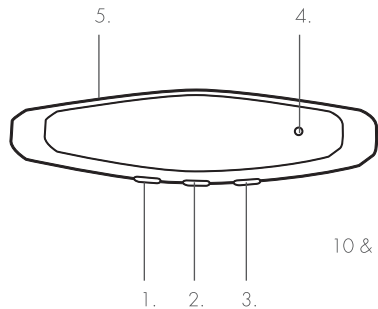
Comfortable Fit

Easy to Adjust

Sturdy Phone Holder

Large Viewing Window

Description of Parts



For the Sports Earphones

1. Skip/Volume - Button
2. Power/Play/Pause Button
3. Skip/Volume + Button
4. LED Indicator Light
5. USB Charging Port
6. Left Earphone
7. Right Earphone

For the Adjustable Armband

8. Strap
9. Securing Slot(s)
10. Phone Holder
11. Viewing Window

Instructions for Use

Charging the Battery

The Sports Earphones are fitted with a 3.7 V 100 mAh Li-ion battery. It is recommended that the battery is charged fully before first use; this will take approximately 1½ –2 hours.

Connect the micro USB end of the USB charging cable into the USB charging port on the Sports Earphones and the other end to a compatible USB port.

Whilst charging, the LED indicator light will illuminate red. Once the battery has charged fully, the LED indicator light will turn off.

Once the Sports Earphones are fully charged, carefully disconnect both ends of the USB charging cable and store it safely for future use.

Note: The LED indicator light will flash red 3 times and the Sports Earphones will beep when they need to be recharged.

Once fully charged, the Sports Earphones will last for approximately 3½ hours.

Using the Sports Earphones

Wearing the Sports Earphones

The Sports Earphones should be positioned behind the head, with the earbuds hooking over and into the ears.

Wearing the Adjustable Armband

Slot a phone into the phone holder, ensuring that the screen is facing forward so that it can be seen through the viewing window. Wrap the strap around the arm it is to be worn on and then insert it through the securing slots to keep it in position. The hook and loop will keep the strap secure.

To tighten the adjustable armband, unfasten the strap and tighten as required. Use the hook and loop tape to secure it back into position.

Basic Functionality

Turn on the Sports Earphones by pressing and holding the 'Power/Play/Pause' button for approximately 4 seconds.

Pause a track by pressing the 'Power/Play/Pause' button; push it again to resume the track.

Adjust the volume of the Sports Earphones by pressing the 'Skip/Volume +' and 'Skip/Volume -' buttons.

To switch to the next track, press and hold the 'Skip/Volume +' button.

Play the previous track by pressing and holding the 'Skip/Volume -' button.

Press and hold the 'Power/Play/Pause' button for approximately 5 seconds to turn off the Sports Earphones.

Bluetooth Mode

Using the Bluetooth mode allows sound from a Bluetooth compatible device to be played wirelessly through the Sports Earphones.

To use the Bluetooth mode, the Bluetooth compatible device must first be paired with the Sports Earphones.

Note: Ensure that the Sports Earphones are turned on before using the Bluetooth mode.

Pairing with a Bluetooth Compatible Device

STEP 1: Turn on the Sports Earphones by pressing and holding the 'Power/Play/Pause' button for approximately 4 seconds. The LED indicator light will flash blue in quick bursts, signalling that the Sports Earphones are ready to be paired with a Bluetooth compatible device.

STEP 2: Search for the Sports Earphones using a Bluetooth compatible device. Select 'EE1181' to connect and pair to them.

STEP 3: Once a connection has been made, the LED indicator light will slowly flash blue to indicate that the Sports Earphones are now paired with the Bluetooth compatible device

Listening via a Bluetooth Compatible Device

Once the Bluetooth compatible device has been paired with the Sports Earphones, sound can be controlled using either the Sports Earphones or the relevant controls on the Bluetooth compatible device.

Unpairing or Removing a Bluetooth Compatible Device

To unpair or remove a Bluetooth compatible device from the Sports Earphones, turn off the Bluetooth function on the Bluetooth compatible device. The Sports Earphones can now be paired with a new Bluetooth compatible device.

Care and Maintenance

Wipe the Sports Earphones with a soft, damp, lint-free cloth and allow to dry thoroughly.

Do not:

Immerse the Sports Earphones in water or any other liquid.
Expose the Sports Earphones to liquid, moisture or humidity to avoid the product's internal circuit being affected.
Use any abrasive cleaning solvents to clean the Sports Earphones, as this can cause damage.

Expose the Sports Earphones to sharp objects, which may cause damage.

Expose the Sports Earphones to extremely high or low temperatures as this will shorten the life of electronic devices, destroy the battery or distort certain plastic parts.

Drop the Sports Earphones, as the internal circuit may become damaged.

Attempt to disassemble the Sports Earphones, as this may cause damage to the product.

Dispose of the Sports Earphones in a fire, as it will result in an explosion.

Specifications

Product Code: EE1181

Bluetooth Version: 2.1

Wireless Range: 10 m

Driver Size: 15 mm

Impedance: 32 Ω

Sensitivity: 80 dB

Frequency Response: 20 Hz–20 kHz

Charging Voltage: 5 V DC USB

Working Voltage: 3.7 V

Battery: 100 mAh

**UP GLOBAL SOURCING,
Victoria Street, Manchester OL9 0DD. UK.**

If this product does not reach you in an acceptable condition please contact our Customer Services Department by one of the following methods:

Telephone: 0161 934 2240*

*Telephone lines are open Monday–Friday, 9 am–5 pm (Closed Bank Holidays)

Email: customercare@upgs.com

Fax: 0161 628 2126

Please have your delivery note to hand as details from it will be required.

If you wish to return this product please return it to the retailer from where it was purchased with your receipt (subject to their terms and conditions).

Guarantee

This product is guaranteed for a period of 1 year from the date of purchase against mechanical and electrical defects. This guarantee is only valid if the appliance is used solely for domestic purposes in accordance with the instructions and provided that it is not connected to an unsuitable electricity supply or dismantled or interfered with in any way or damaged through misuse.

Under this guarantee we undertake to repair or replace free of charge any parts found to be defective. Reasonable proof of purchase must be provided.

Nothing in this guarantee or in the instructions relating to this products excludes, restricts or otherwise affects your statutory rights. In line with our policy of continuous development we reserve the right to change this product, packaging and documentation specification without notice.

Consumables are not guaranteed i.e. plug and fuse.

The crossed out wheelee bin symbol on this item indicates that this appliance needs to be disposed of in an environmentally friendly way when it becomes of no further use or has worn out. Contact your local authority for details of where to take the item for recycling.



intempo[®]



Distributed by: UP Global Sourcing, Victoria Street, Manchester OL9 0DD. UK.

S

MADE IN CHINA.

CD070416/MD000000/V1